

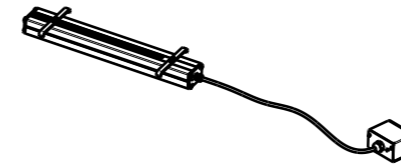
Accessories

incl. in scope of delivery

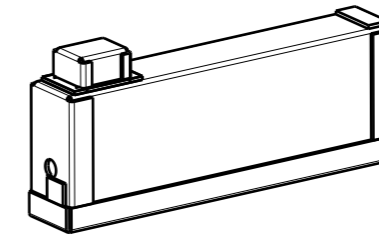
MD40
Linear/rotary feedthrough
- Linear travel: 80mm

Sample Holder Stacks for various Sample Holder systems

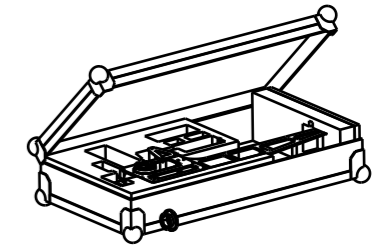
- Flagstyle Sample Plates
 - Spacing and amount of Receivers customizable
- Atom Probe Pucks
 - 3 Spaces
- Dovetail Cryo Shuttles
 - 3 Spaces
- Leica Blocks
 - 3 Spaces



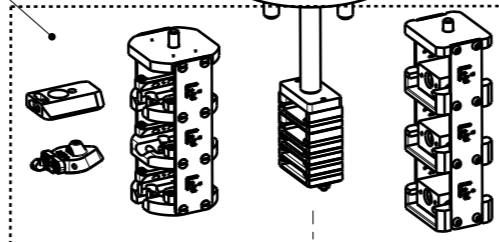
BKHEVSN40SWM
Heater module



VSN40SBT
Bake-out Tent



VSN40SFLIGHTCASE4
Flightcase



VG40VAT (UNF)
Gatevalve with UNF Threads

WM40
Single Shaft Wobblestick
available linear travel:
- 500mm

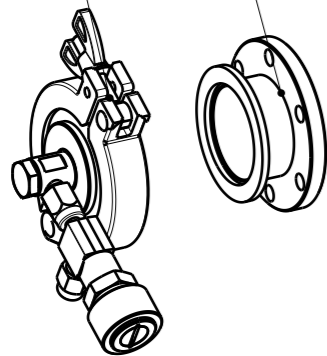
ADTSVSNWM
Wobblestick Fine
Alignment Adapterplate

Accessories

incl. in scope of delivery

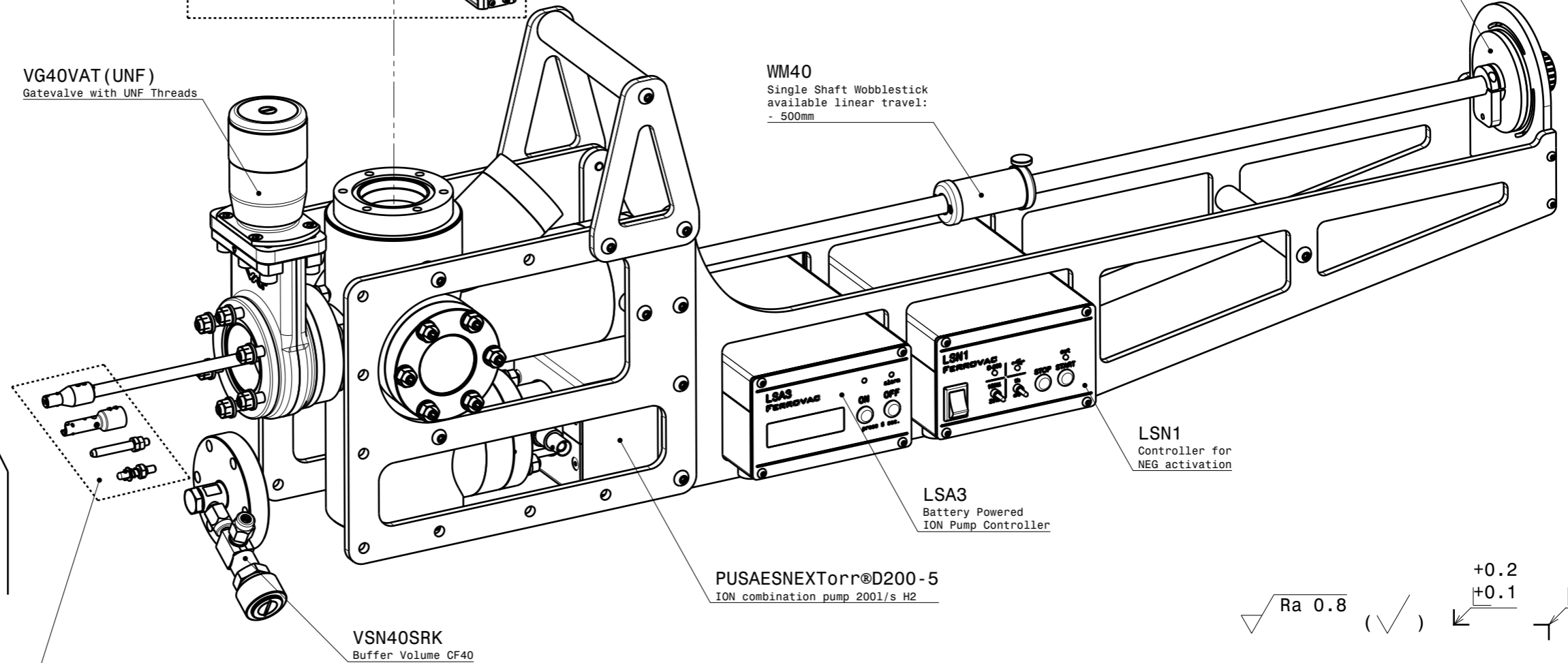
AFCF40KF40L25
CF - KF40 Adapter

VSN40SRKKF
Buffer Volume KF40



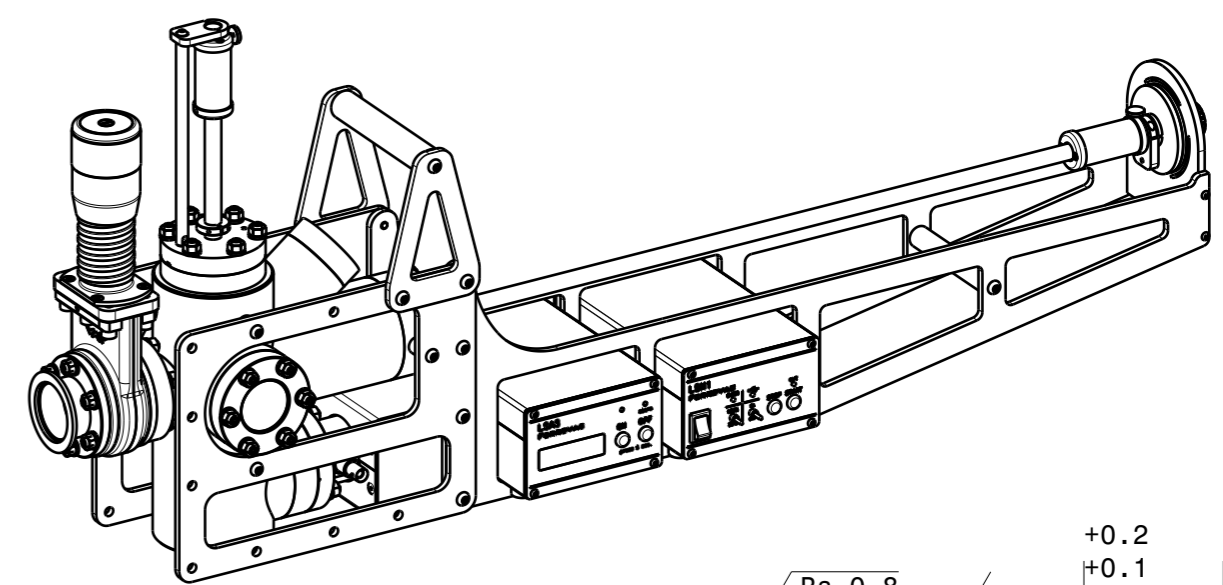
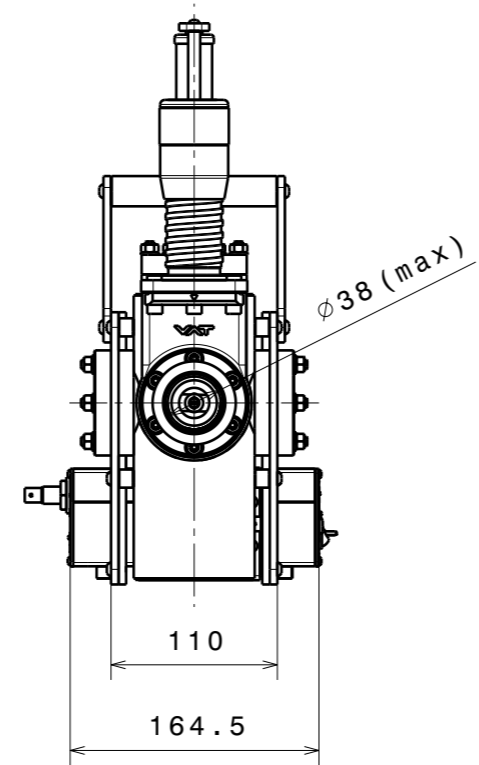
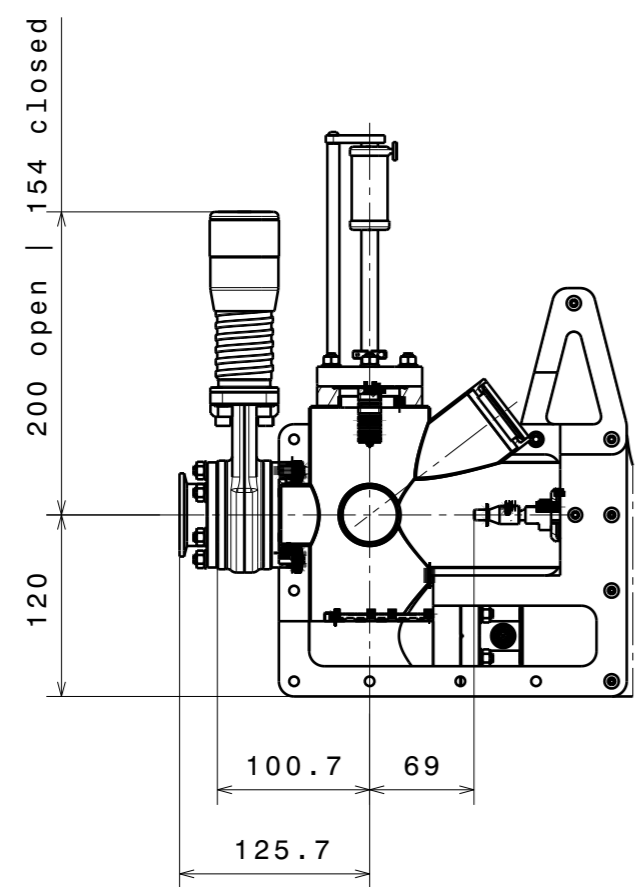
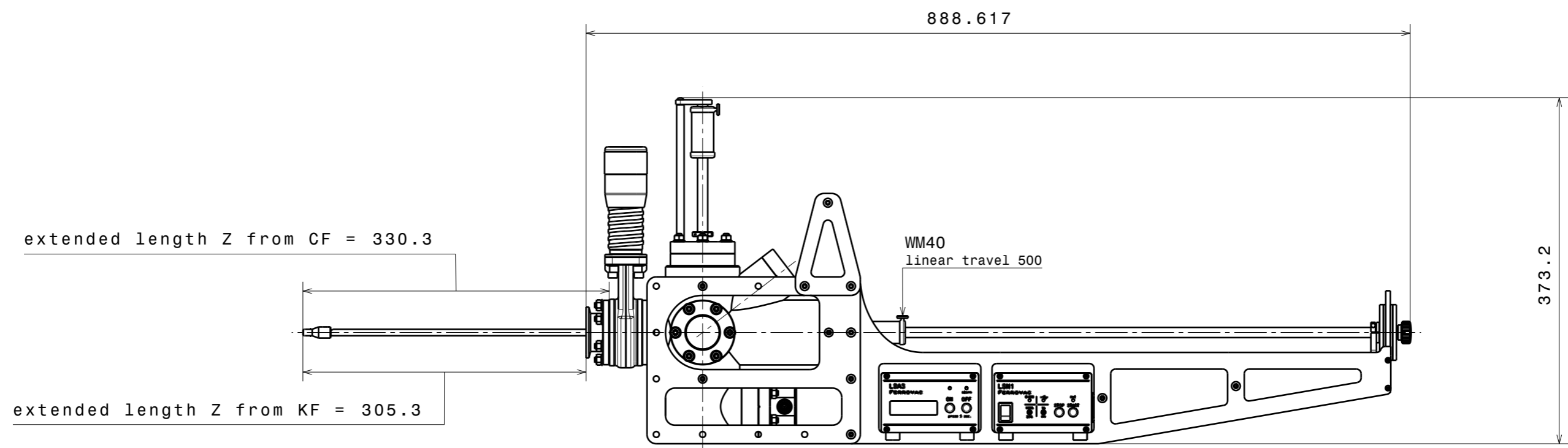
Grabber Tools for various Sample Holder systems

- Flagstyle Sample Plates
- Atom Probe Pucks
- Dovetail Cryo Shuttles
- Leica Blocks



Ra 0.8 (✓) $\begin{matrix} +0.2 \\ +0.1 \end{matrix}$ $\begin{matrix} -0.1 \\ -0.2 \end{matrix}$

Material: various	nominal $\leq 30\text{mm}$	DIN ISO 2768-f-H
	dimensions $> 30\text{mm}$	DIN ISO 2768-m-K excluding Sym./Runout
	Sym./Runout $> 30\text{mm}$	DIN ISO 2768-H
NexGeneration UHV Suitcase for Room-Temperature Transfer VSN40S (VRV)	formed part dimensions	DIN ISO 2768-f-H
	Scale	Drawn L. Jeromin
	1:3	Date 17.05.2023
		Changed 19.07.2023 LJ
	(1:15)	VSN40S (VRV)
	(1:20)	
Ferrovac CH-8050 Zurich	THE INFORMATION CONTAINED IN THIS DRAWING IS THE SOLE PROPERTY OF FERROVAC. ANY REPRODUCTION IN PART OR AS WHOLE WITHOUT OUR PERMISSION IS PROHIBITED.	Rev. A
		A3 sheet 1/2



Material: various	nominal $\leq 30\text{mm}$	DIN ISO 2768-f-H
	dimensions $> 30\text{mm}$	DIN ISO 2768-m-K excluding Sym./Runout
	Sym./Runout $> 30\text{mm}$	DIN ISO 2768-H
NexGeneration UHV Suitcase for Room-Temperature Transfer VSN40S (VRV)	formed part dimensions	DIN ISO 2768-f-H
Ferrovac CH-8050 Zurich	Scale	1:5
	Drawn	L. Jeromin
	Date	17.05.2023
	Changed	19.07.2023 LJ
	Rev.	A
		VSN40S (VRV) A3 sheet 2/2

THE INFORMATION CONTAINED IN THIS DRAWING IS THE SOLE PROPERTY OF FERROVAC. ANY REPRODUCTION IN PART OR AS WHOLE WITHOUT OUR PERMISSION IS PROHIBITED.