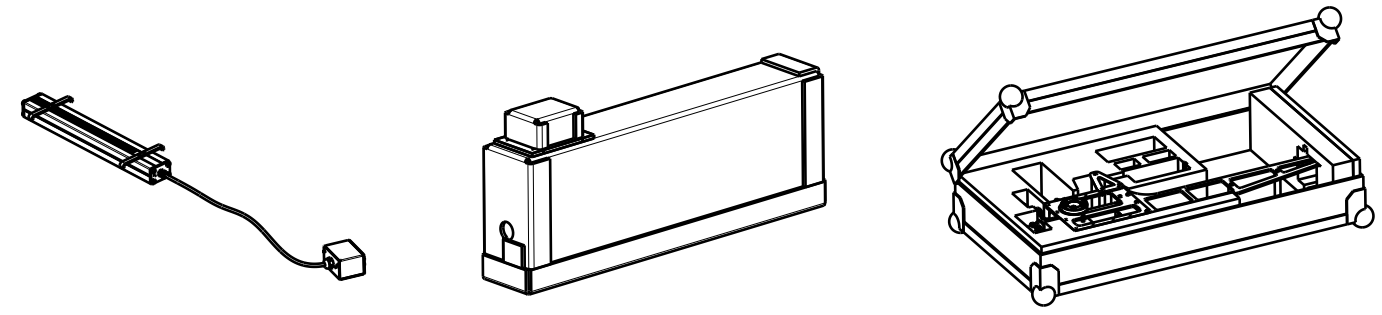


Accessories

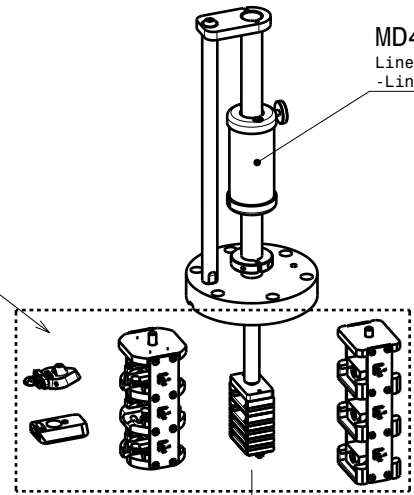
incl. in scope of delivery



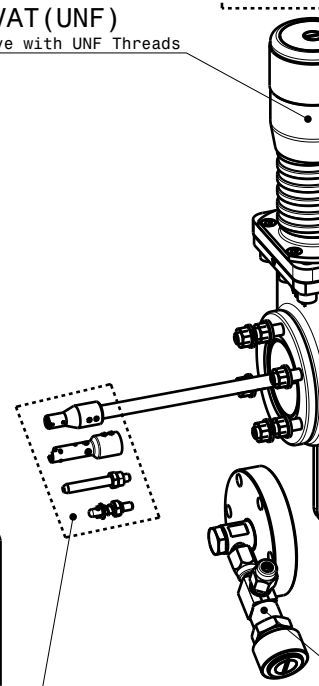
Sample Holder Stacks for various Sample Holder systems

- Flagstyle Sample Plates
 - Spacing and amount of Receivers customizable
- Atom Probe Pucks
 - 3 Spaces
- Dovetail Cryo Shuttles
 - 3 Spaces
- Leica Blocks
 - 3 Spaces

MD40
Linear/rotary feedthrough
-Liner travel: 80mm

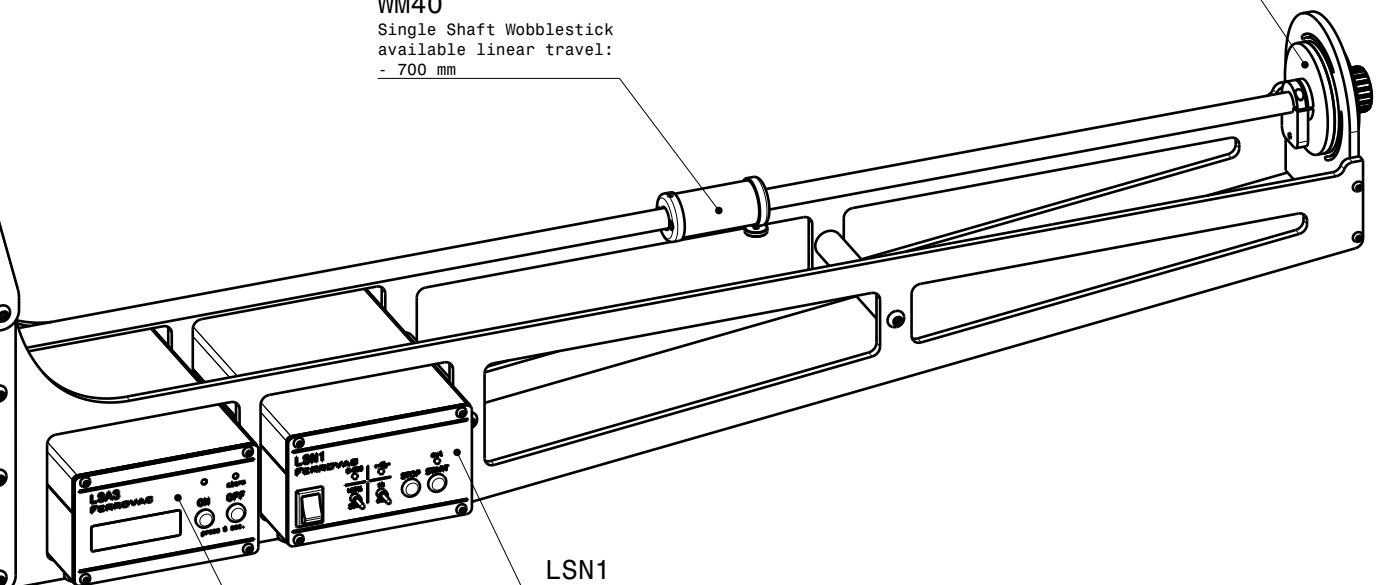


VG40VAT (UNF)
Gatevalve with UNF Threads



ADTSVSNWM
Wobblestick fine alignment Adapterplate

WM40
Single Shaft Wobblestick
available linear travel:
- 700 mm

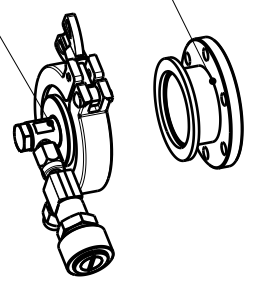


Accessories

incl. in scope of delivery

AFCF40KF40L25
CF - KF Adapter

VSN40SRKKF
Buffer Volume KF40



LSA3
Battery Powered
ION Pump Controller

LSN1
Controller for
NEG activation

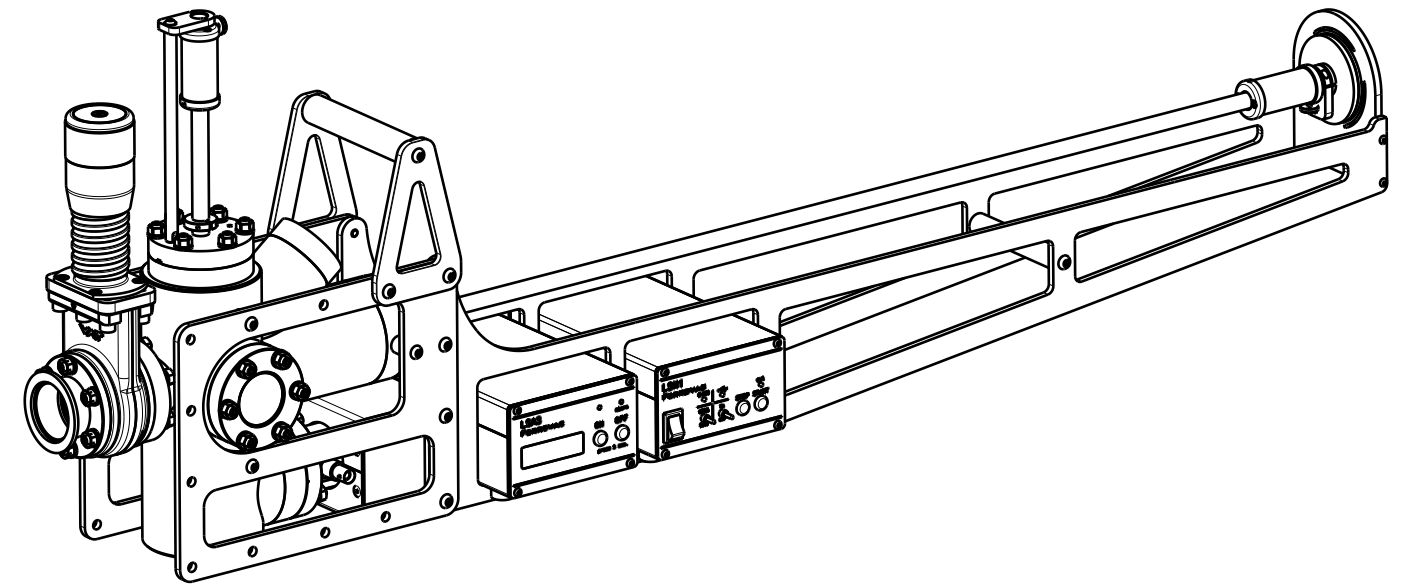
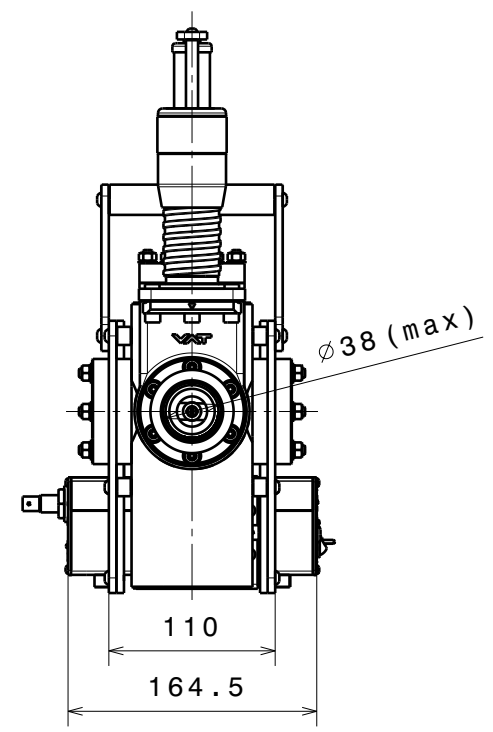
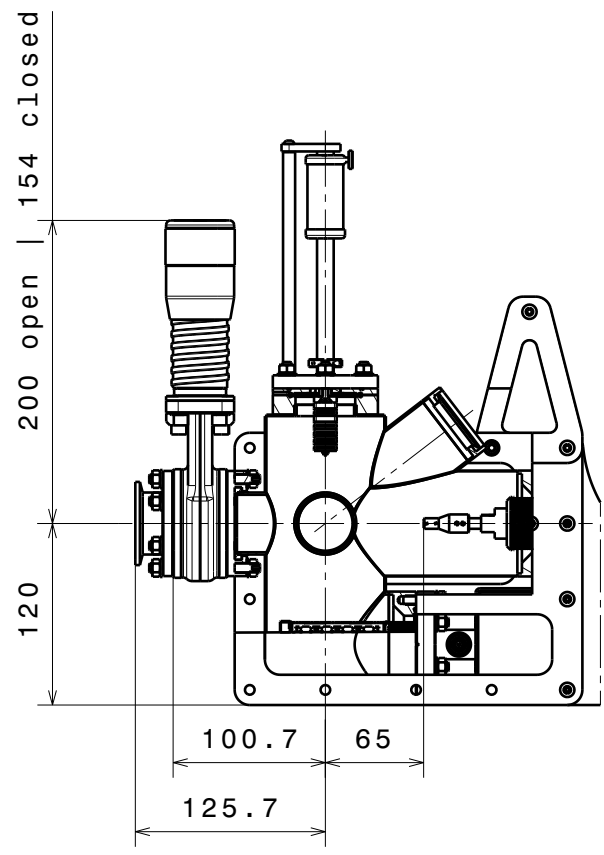
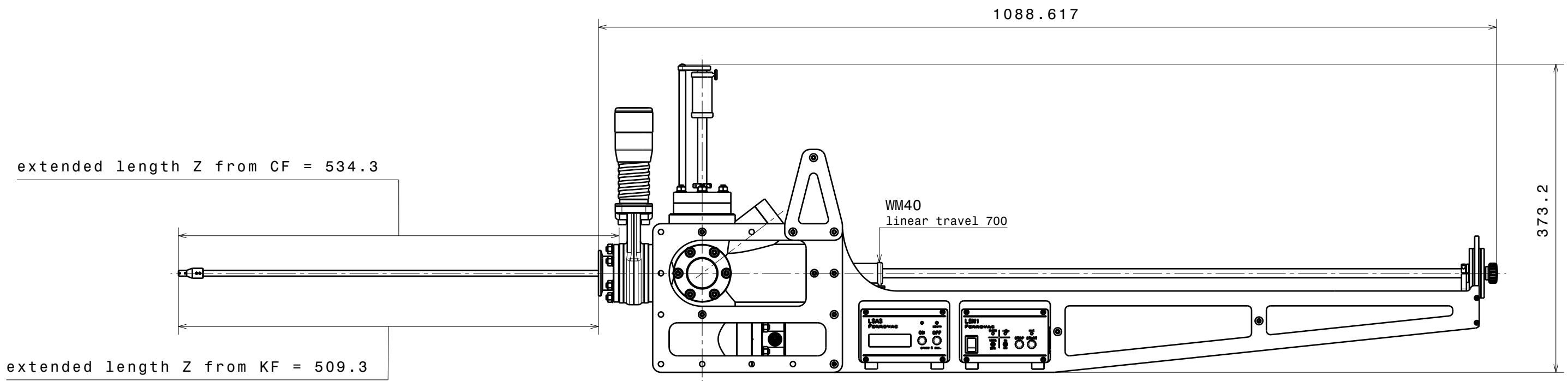
PUSAESNEXTorr®D200-5
ION combination pump 200l/s H2

VSN40SRK
Buffer Volume CF40

Grabber Tools for various Sample Holder systems

- Flagstyle Sample Plates
- Atom Probe Pucks
- Dovetail Cryo Shuttles
- Leica Blocks

Material: -		nominal <30mm	DIN ISO 2768-f-H
		dimensions >30mm	DIN ISO 2768-m-K excluding Sym./Runout
		Sym./Runout >30mm	DIN ISO 2768-H
NexGeneration UHV Suitcase Package for Room-Temperature Transfer - Long Throw		formed part dimensions	DIN ISO 2768-f-H
Scale	Drawn	L.Jeromin	
1:5	Date	27.07.2023	
	Changed	
Ferrovac CH-8050 Zurich		THE INFORMATION CONTAINED IN THIS DRAWING IS THE SOLE PROPERTY OF FERROVAC. ANY REPRODUCTION IN PART OR AS WHOLE WITHOUT OUR PERMISSION IS PROHIBITED.	
Rev.	A	VSN40S (VRV) L A3 sheet 1/2	



Material: -		nominal $\leq 30\text{mm}$	DIN ISO 2768-f-H
		dimensions >math>30\text{mm}</math>	DIN ISO 2768-m-K excluding Sym./Runout
		Sym./Runout >math>30\text{mm}</math>	DIN ISO 2768-H
NexGeneration UHV Suitcase Package for Room-Temperature Transfer - Long Throw		formed part dimensions	DIN ISO 2768-f-H
Scale	Drawn	L.Jeromin	
1:5	Date	27.07.2023	
	Changed	
Ferrovac CH-8050 Zurich		THE INFORMATION CONTAINED IN THIS DRAWING IS THE SOLE PROPERTY OF FERROVAC. ANY REPRODUCTION IN PART OR AS WHOLE WITHOUT OUR PERMISSION IS PROHIBITED.	
Rev.	A	VSN40S (VRV) L A3 sheet 2/2	