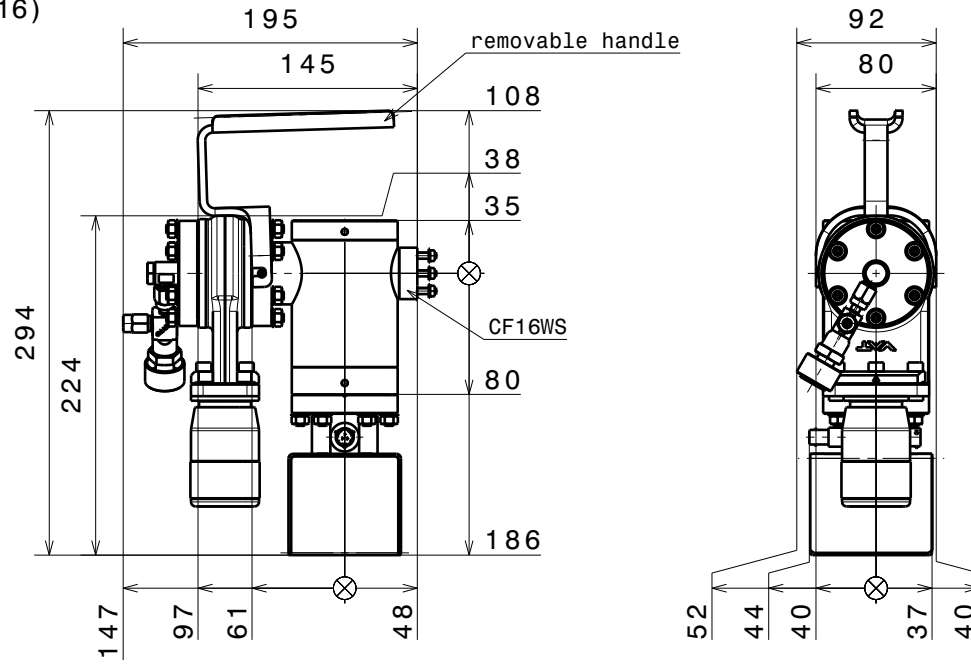
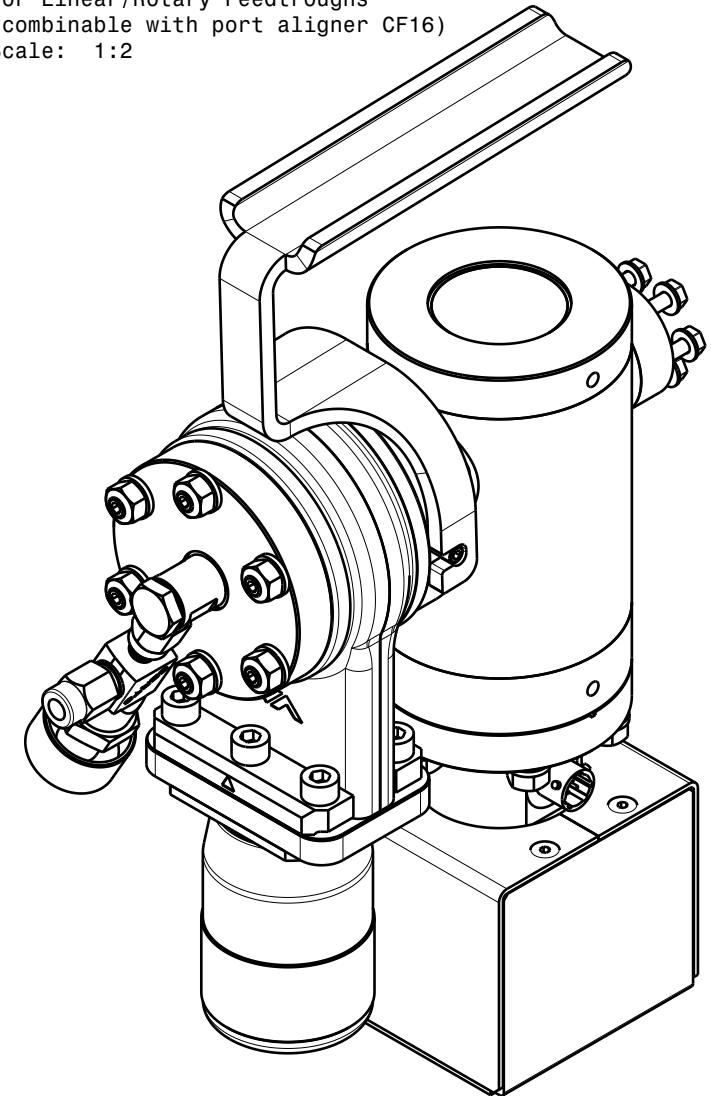


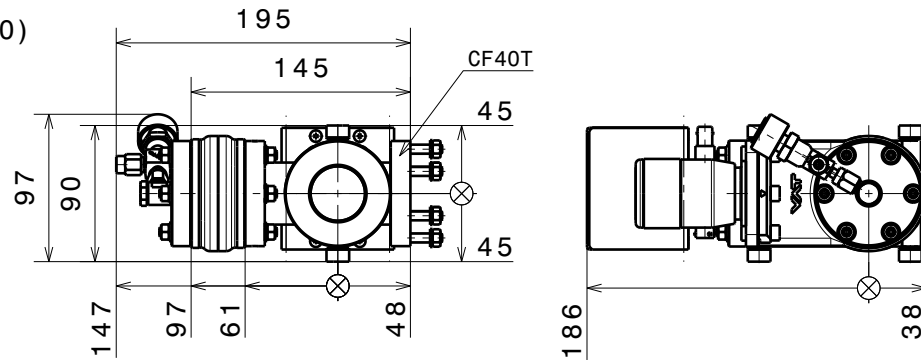
VSN40M(CF16)
Sideview



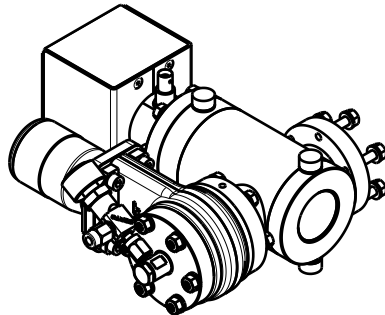
VSN40M(CF16)
for Linear/Rotary Feedtroughs
(combinable with port aligner CF16)
Scale: 1:2



VSN40M(CF40)
Sideview



VSN40M(CF40)
for Sample Transporters
Scale: 1:5



BASE MODULE MINI NEXGENERATION UHV SUITCASE

Material: all UHV compatible		nominal	over	1	6	30	100	300	1000
Mini NexGeneration UHV Suitcase		dimension up to		6	30	100	300	1000	2000
VS		tolerance	±	0.05	0.1	0.3	0.5	0.8	1.2
		Scale	Drawn	von Gunten					
		1:5	Date	15.09.2016					
			changed					
Ferrovac GmbH CH-8050 Zurich		THE INFORMATION CONTAINED IN THIS DRAWING IS THE SOLE PROPERTY OF FERROVAC GMBH. ANY REPRODUCTION IN PART OR AS WHOLE WITHOUT OUR PERMISSION IS PROHIBITED.		VSN40M		2/3			
Rev.	A								