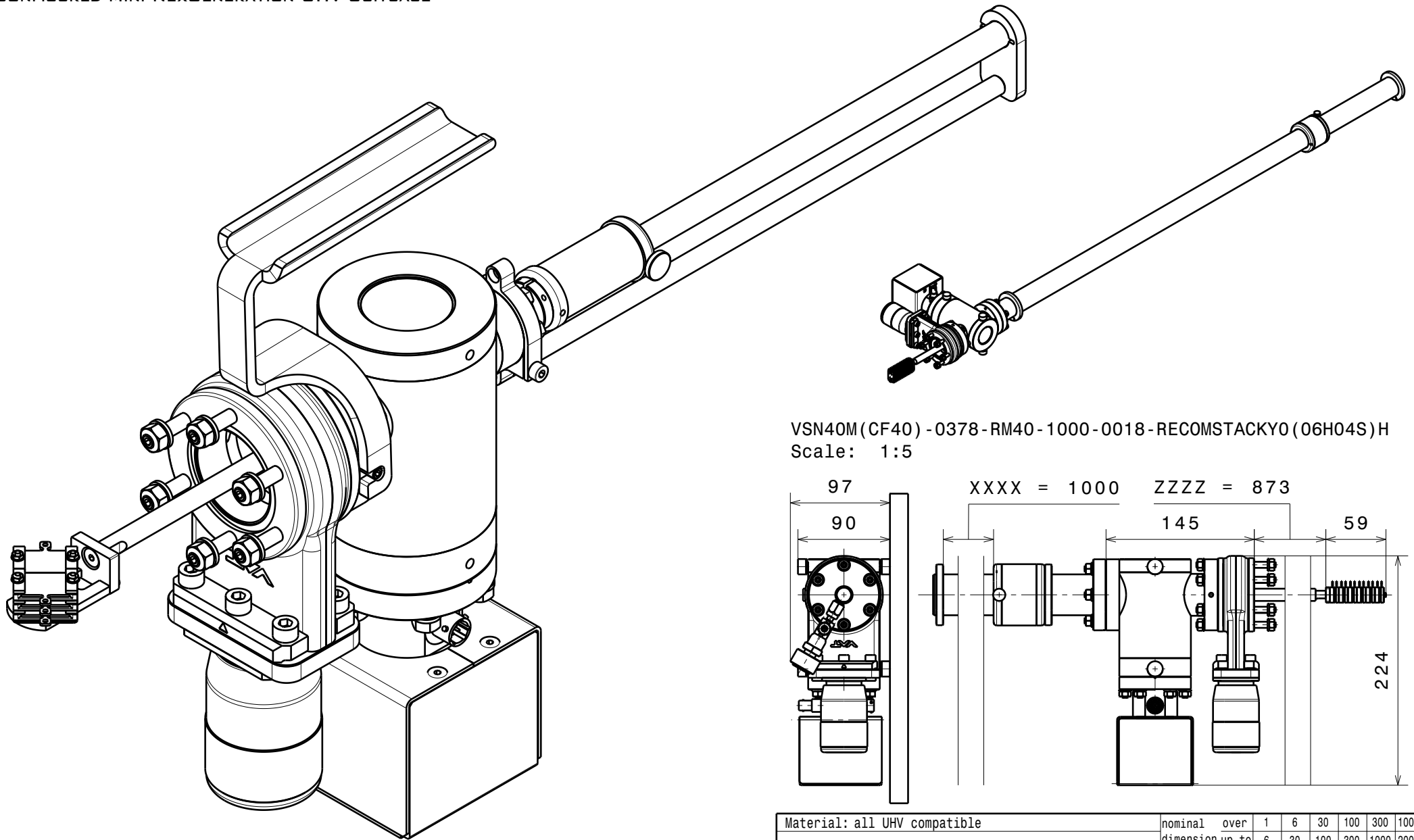
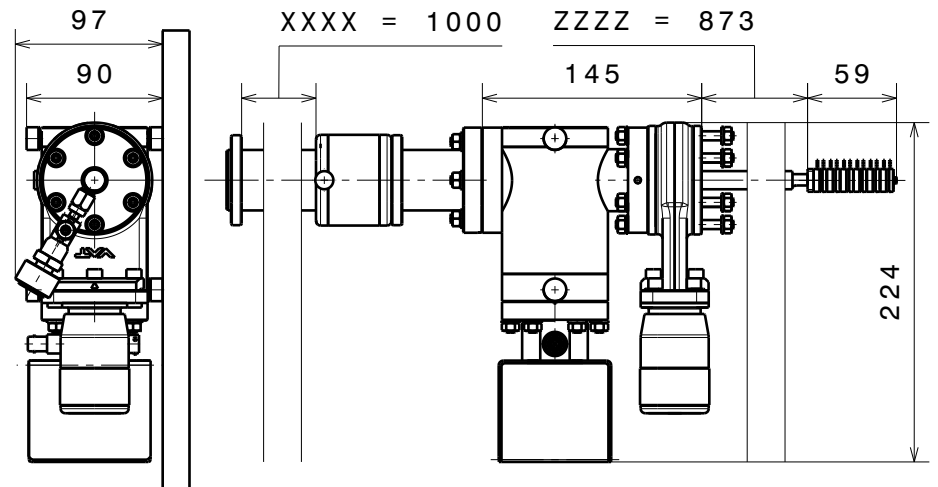


CONFIGURED MINI NEXGENERATION UHV SUITCASE



VSN40M(CF40) -0378-RM40-1000-0018-RECOMSTACKY0(06H04S)H  
Scale: 1:5



VSN40M(CF16) -0103-MD16-RSCPS60M-0200-0048-TSMDH16  
Scale: 1:2

Material: all UHV compatible		nominal	over	1	6	30	100	300	1000
Mini NexGeneration UHV Suitcase		dimension up to		6	30	100	300	1000	2000
VS		tolerance ±		0.05	0.1	0.3	0.5	0.8	1.2
		Scale	Drawn	von Gunten					
		1:5	Date	15.09.2016					
			changed	.....					
<b>Ferrovac GmbH</b> CH-8050 Zurich		THE INFORMATION CONTAINED IN THIS DRAWING IS THE SOLE PROPERTY OF FERROVAC GMBH. ANY REPRODUCTION IN PART OR AS WHOLE WITHOUT OUR PERMISSION IS PROHIBITED.		Rev.		A		VSN40M 1/3	