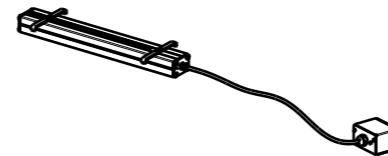
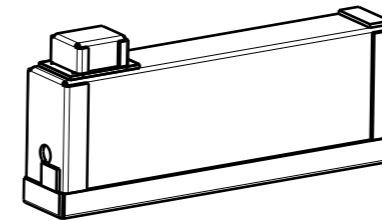


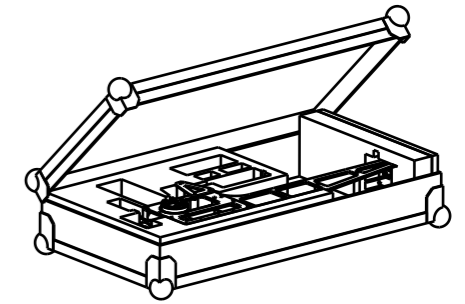
**Accessories**  
incl. in scope of delivery



BKHEVSN40SWM  
Heater Module



VSN40SBT  
Bake-out tent



VSN40SFLIGHTCASE  
Flightcase

CTD50  
Liquid Nitrogen Dewar CF50  
LN2 filling volume: -0.5lt

VG40VAT (UNF)  
Gatevalve with UNF threads

AFCF40KF40L25  
CF - KF Adapter

VSN40SRKKF  
Buffer Volume KF40

Grabber tools for various  
Sample Holder systems  
-Flagstyle Sample plates  
-Dovetail Cry Shuttles  
-Leica Blocks  
-Atom Probe Pucks - available directly from CAMECA

ADTSVSNWMXY  
Wobblestick Fine  
Alignment Adapterplate

WM40  
Single shaft wobblestick  
available linear travel:  
- 700mm

LSN1  
Controller for  
NEG activation

LSA3  
Battery powered  
ion pump controller

PUSAESNEXTorr@D200-5  
Ion combination pump 200l/s H2

Ra 0.8 (✓)  $\begin{matrix} +0.2 \\ +0.1 \\ -0.1 \\ -0.2 \end{matrix}$

Material: various	nominal $\leq 30\text{mm}$	DIN ISO 2768-f-H
	dimensions $> 30\text{mm}$	DIN ISO 2768-m-K excluding Sym./Runout
	Sym./Runout $> 30\text{mm}$	DIN ISO 2768-H
Ultra High Vacuum Cryo Transfer Suitcase - Long throw	formed part dimensions	DIN ISO 2768-f-H
UHVCTSL	Scale	Drawn L.Jeromin
	1:4	Date 12.09.2023
	(1:15)	Changed .....
	(1:20)	
<b>Ferrovac</b> CH-8050 Zurich	THE INFORMATION CONTAINED IN THIS DRAWING IS THE SOLE PROPERTY OF FERROVAC. ANY REPRODUCTION IN PART OR AS WHOLE WITHOUT OUR PERMISSION IS PROHIBITED.	<b>UHVCTSL</b>
Rev. A		A3 sheet 1/2

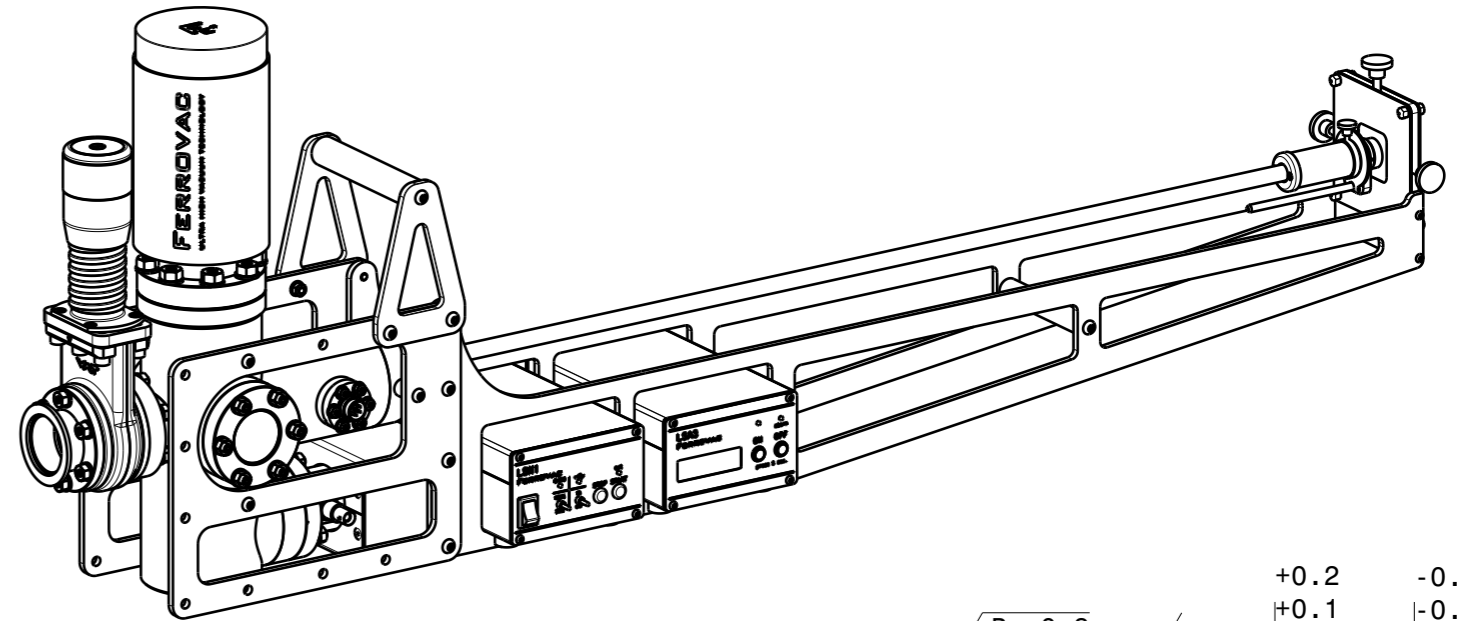
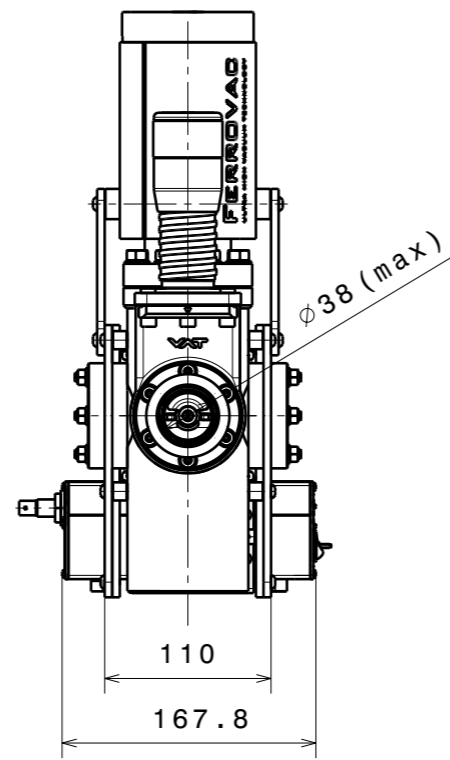
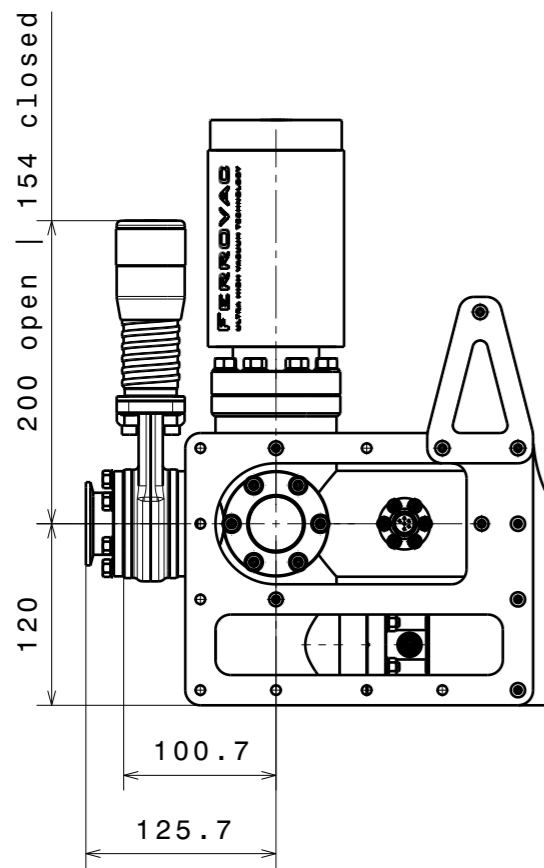
extended length Z from CF = 586.3

extended length Z from KF = 561.3

1089.117

387

WM40  
linear travel 700



Material: various

Ultra High Vacuum Cryo Transfer  
Suitcase - Long throw  
UHVCTSL

**Ferrovac**  
CH-8050 Zurich

THE INFORMATION CONTAINED IN THIS  
DRAWING IS THE SOLE PROPERTY OF  
FERROVAC. ANY REPRODUCTION  
IN PART OR AS WHOLE WITHOUT OUR  
PERMISSION IS PROHIBITED.

nominal <30mm	DIN ISO 2768-f-H
dimensions >30mm	DIN ISO 2768-m-K excluding Sym./Runout
Sym./Runout >30mm	DIN ISO 2768-H
formed part dimensions	DIN ISO 2768-f-H

Scale	Drawn	L.Jeromin
1:5	Date	12.09.2023
	Changed	.....

Rev.	A	UHVCTSL
		A3 sheet 1/1