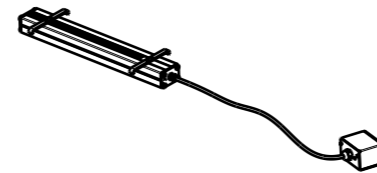
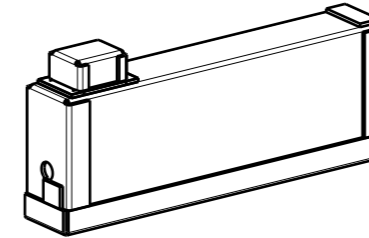


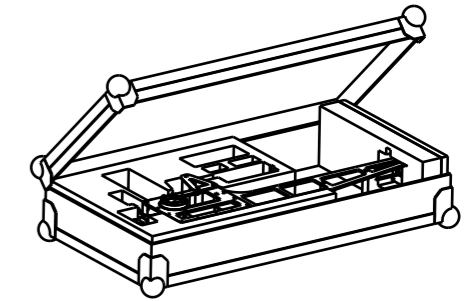
**Accessories**  
incl. in scope of delivery



BKHEVSN40SWM  
Heater module



VSN40SBT  
Bake-out tent



VSN40SFLIGHTCASE  
Flightcase

CTD50  
Liquid Nitrogen Dewar CF50  
LN2 filling volume: ~0.5lt

VG40VAT (UNF)  
Gatevalve with UNF threads

ADTSVSNWMXY  
Wobblestick Fine  
Alignment Adapterplate

WM40  
Single shaft wobblestick  
available linear travel:  
- 500mm

LSN1  
Controller for  
NEG activation

LSA3  
Battery powered  
Ion pump controller

PUSAESNEXTorr@D200-5  
ION combination pump 2001/s H2

AFCF40KF40L25  
CF - KF Adapter

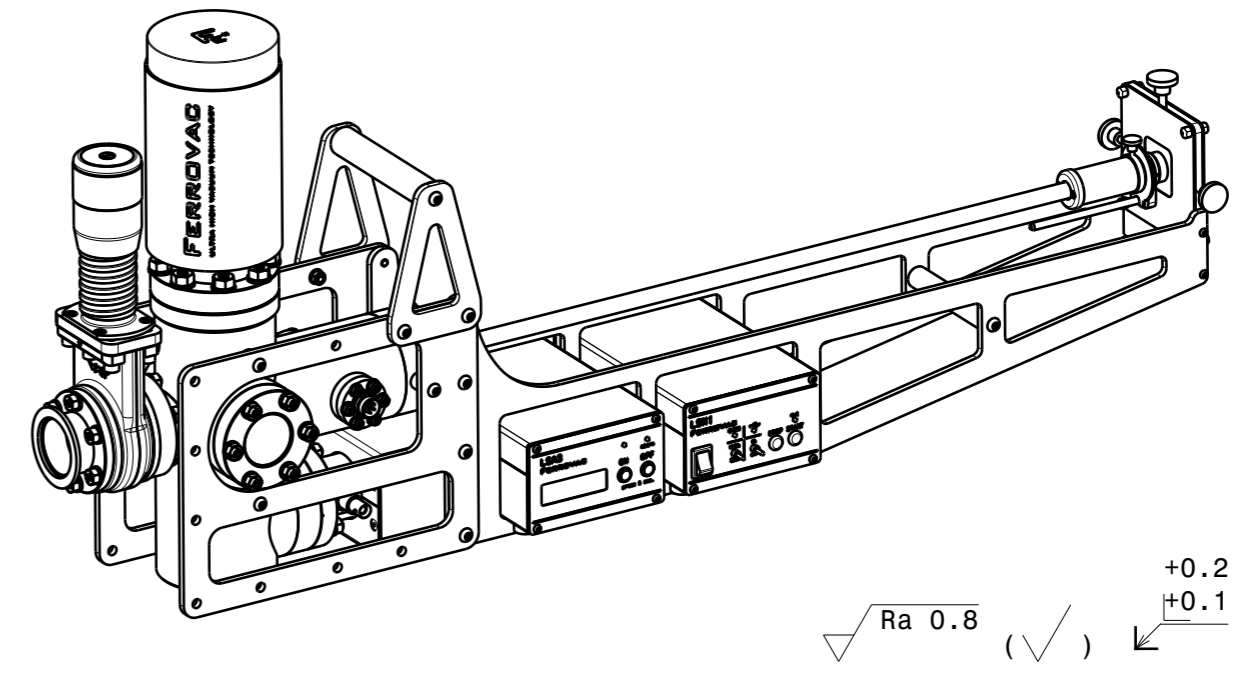
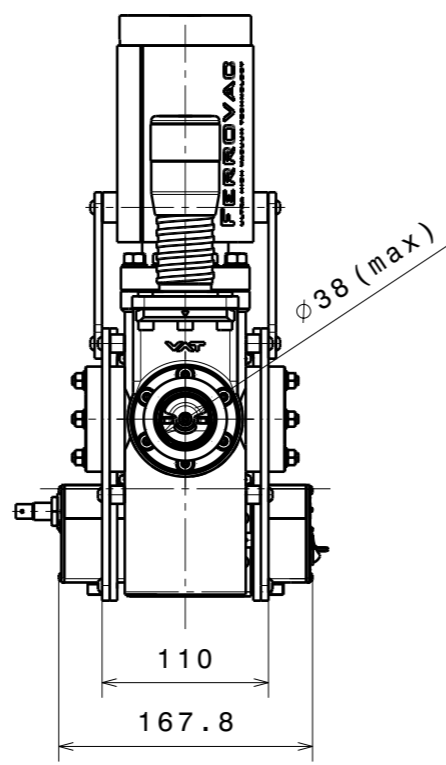
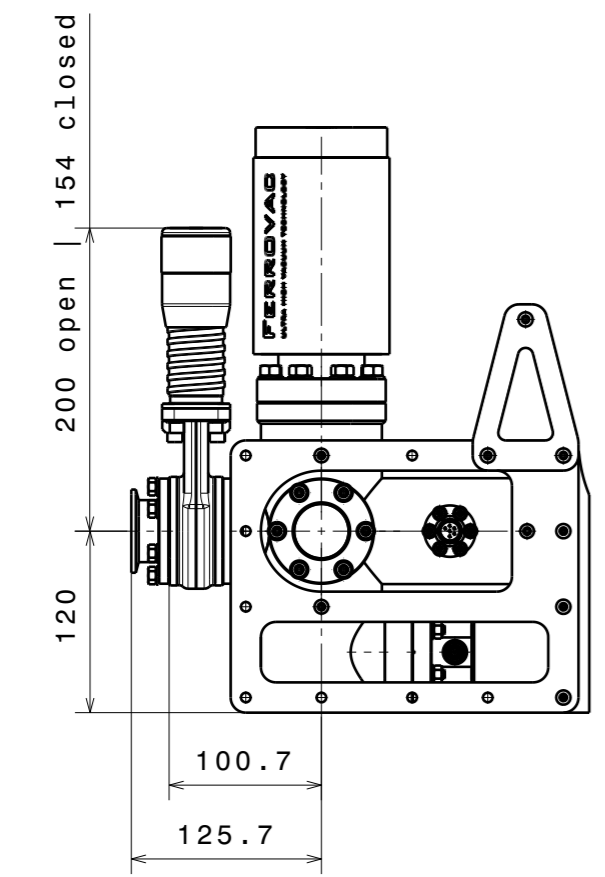
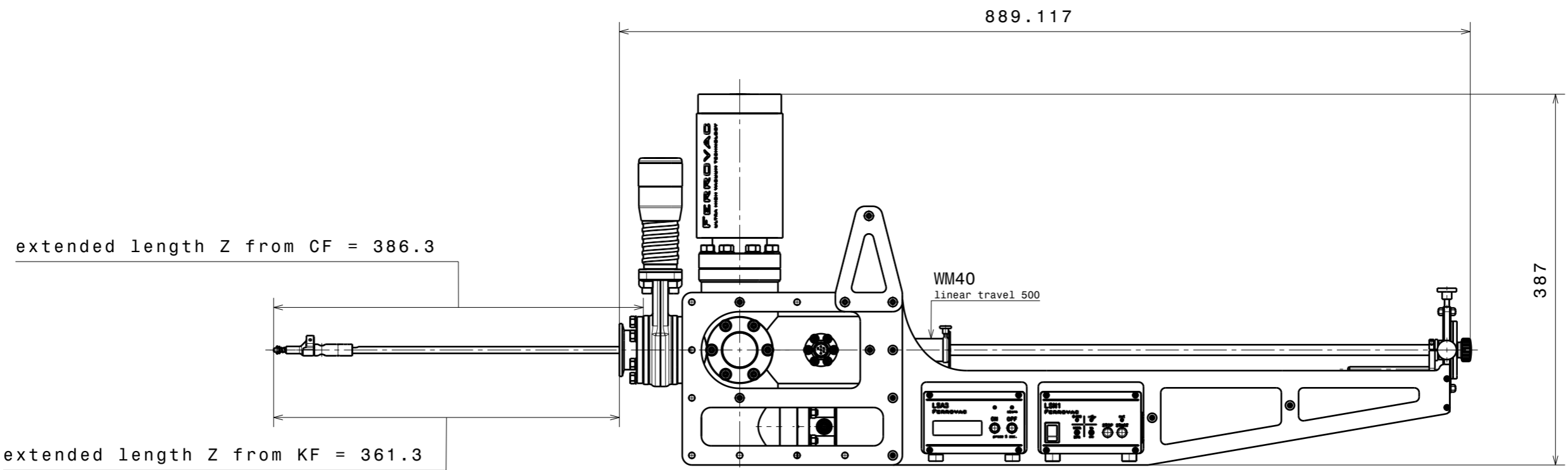
VSN40SRKKF  
Buffer Volume KF40

**Grabber Tools for various  
Sample Holder systems**

- Flagstyle Sample Plates
- Dovetail Cryo Shuttles
- Leica Blocks
- Atom Probe Pucks - available directly from CAMECA

▽ Ra 0.8 (✓) ↙ +0.2 / +0.1 ↘ -0.1 / -0.2

Material: various	nominal <30mm	DIN ISO 2768-f-H
	dimensions >30mm	DIN ISO 2768-m-K excluding Sym./Runout
	Sym./Runout >30mm	DIN ISO 2768-H
<b>Ultra High Vacuum Cryo Transfer Suitcase</b>	formed part dimensions	DIN ISO 2768-f-H
UHVCTS	Scale	Drawn L.Jeromin
	<b>1:3</b>	Date 12.09.2023
	(1:15)	Changed .....
	(1:20)	
<b>Ferrovac</b> CH-8050 Zurich	THE INFORMATION CONTAINED IN THIS DRAWING IS THE SOLE PROPERTY OF FERROVAC. ANY REPRODUCTION IN PART OR AS WHOLE WITHOUT OUR PERMISSION IS PROHIBITED.	<b>UHVCTS</b>
Rev. A		A3 sheet 1/2



Material: various		nominal <30mm	DIN ISO 2768-f-H
		dimensions >30mm	DIN ISO 2768-m-K excluding Sym./Runout
		Sym./Runout >30mm	DIN ISO 2768-H
Ultra High Vacuum Cryo Transfer Suitcase		formed part dimensions	DIN ISO 2768-f-H
UHVCTS		Scale	Drawn L.Jeromin
		1:5	Date 12.09.2023
			Changed .....
<b>Ferrovac</b> CH-8050 Zurich		<b>UHVCTS</b>	
THE INFORMATION CONTAINED IN THIS DRAWING IS THE SOLE PROPERTY OF FERROVAC. ANY REPRODUCTION IN PART OR AS WHOLE WITHOUT OUR PERMISSION IS PROHIBITED.		Rev. A	A3 sheet 1/1