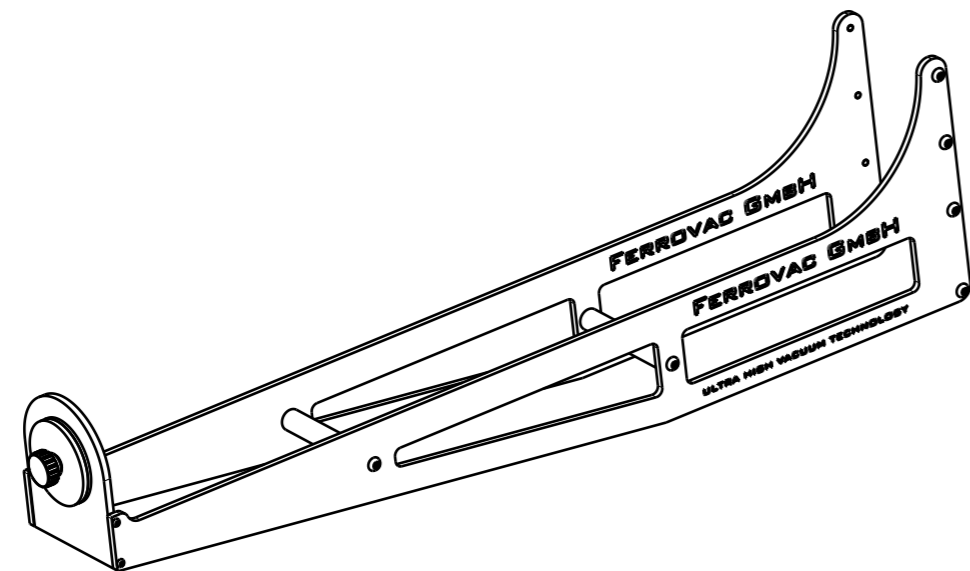
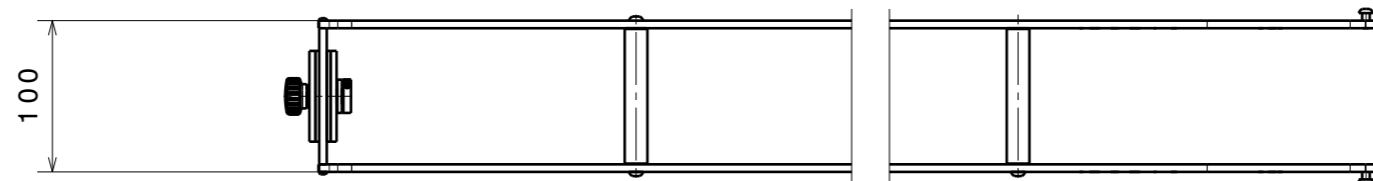
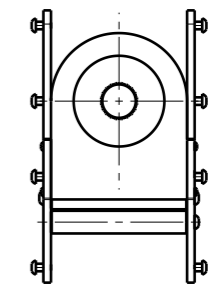
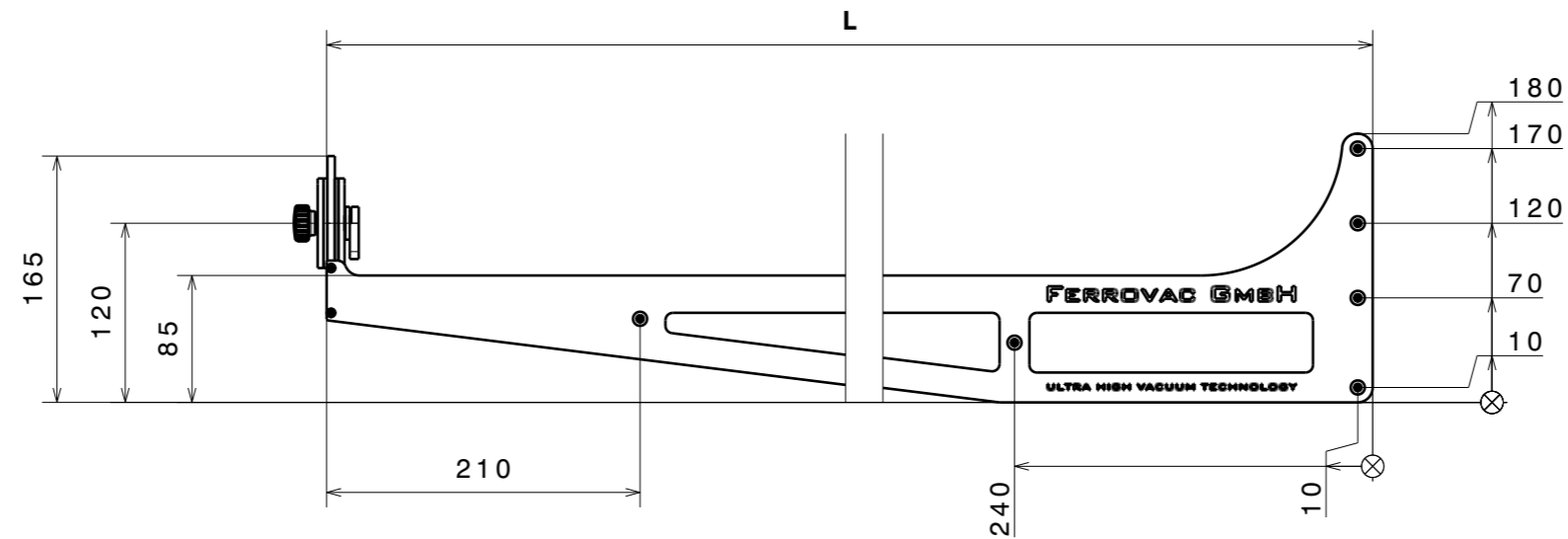
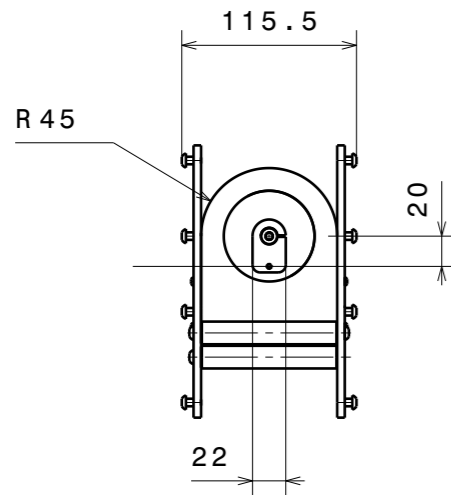


Alignment and Protection Rail for Wobblesticks on VSN40(C)S(V)	nominal dimension	over up to	1	6	30	100	300	1000
	tolerance	±	0.05	0.1	0.3	0.5	0.8	1.2
	Scale	Drawn	S.Michels					
1:2	Date	24.01.2017						
	Changed						
Ferrovac GmbH CH-8050 Zurich	THE INFORMATION CONTAINED IN THIS DRAWING IS THE SOLE PROPERTY OF FERROVAC GMBH. ANY REPRODUCTION IN PART OR AS WHOLE WITHOUT OUR PERMISSION IS PROHIBITED.	TSWMVSNVS A3 sheet 1/2						
Rev.	A							



Alignment and Protection Rail for Wobblesticks on VSN40(C)S(V)	nominal dimension	over up to	1	6	30	100	300	1000
	tolerance ±		0.05	0.1	0.3	0.5	0.8	1.2
	Scale	Drawn	S.Michels					
1:5	Date	24.01.2017						
	Changed						
Ferrovac GmbH CH-8050 Zurich	<small>THE INFORMATION CONTAINED IN THIS DRAWING IS THE SOLE PROPERTY OF FERROVAC GMBH. ANY REPRODUCTION IN PART OR AS WHOLE WITHOUT OUR PERMISSION IS PROHIBITED.</small>							
Rev.	A	TSWMVSNVS A3 sheet 2/2						