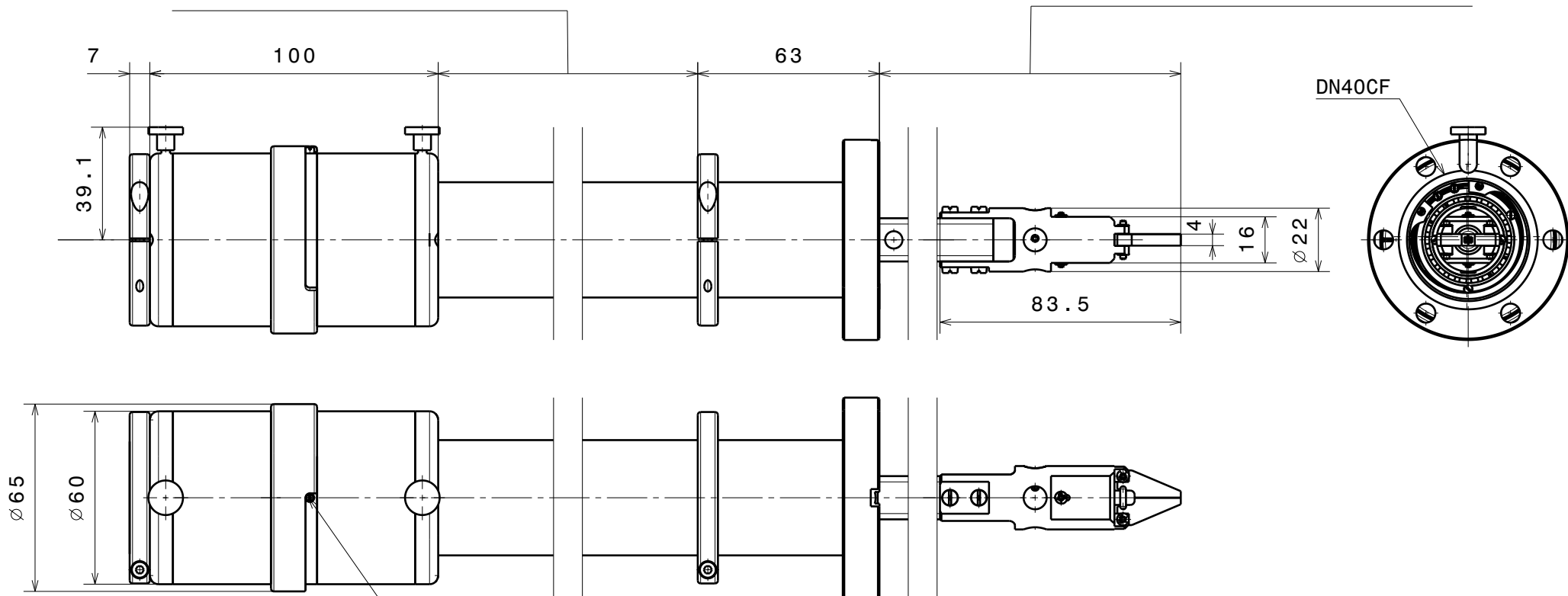
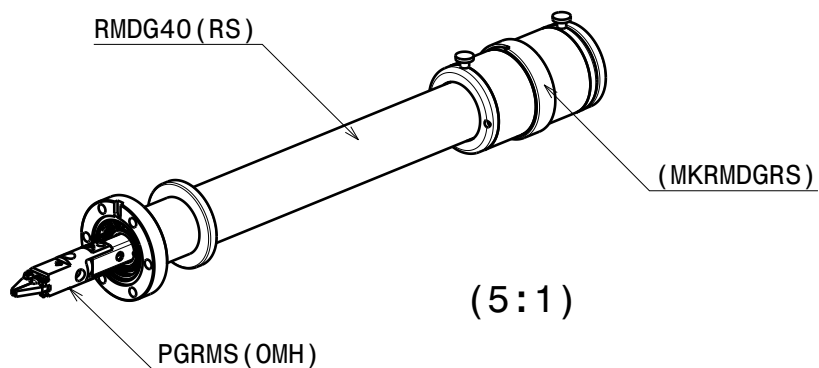


Linear travel XXXX in mm

Retracted length YYYY in mm



Relative rotation of the two coupling opens the pincer grip.
The intermediate ring restricts the rotation to prevent torque overload.



$\sqrt{\text{Ra } 0.8}$ (✓) $\begin{matrix} +0.2 \\ +0.1 \end{matrix}$ $\begin{matrix} -0.1 \\ -0.2 \end{matrix}$
 general tolerances ISO 2768-K

Material: All UHV compatible		nominal	over	1	6	30	100	300	1000
Dual shaft sample transporter with pincer grip and rotation stop		dimension up to		6	30	100	300	1000	2000
RM		tolerance ±		0.05	0.1	0.3	0.5	0.8	1.2
		Scale	Drawn	Denys Sutter					
			Date	29.04.2014					
			changed					
Ferrovac GmbH		1:2		RMDG40 (RS) - PGRMS (OMH)					
CH-8050 Zurich		(1:5)							
THE INFORMATION CONTAINED IN THIS DRAWING IS THE SOLE PROPERTY OF FERROVAC GMBH. ANY REPRODUCTION IN PART OR AS WHOLE WITHOUT OUR PERMISSION IS PROHIBITED.		Rev.	A						