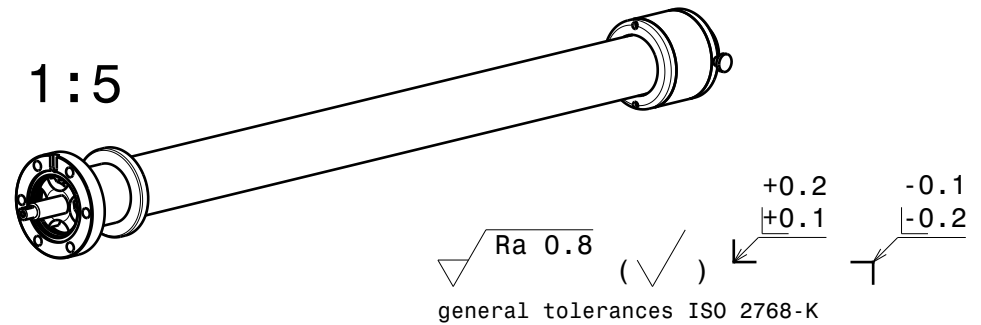
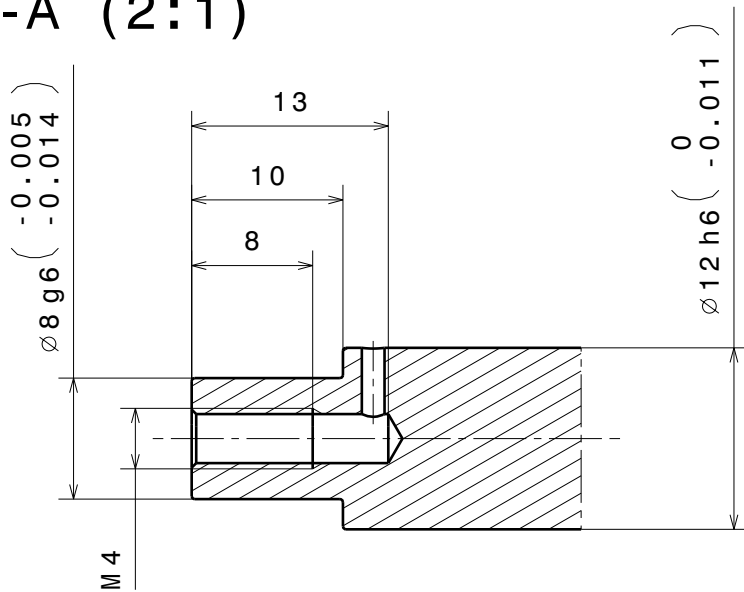


A-A (2:1)



Material: ...		nominal	over	1	6	30	100	300	1000
Sample Transporter DN40CF		dimension up to		6	30	100	300	1000	2000
		tolerance ±		0.05	0.1	0.3	0.5	0.8	1.2
Single shaft with slide bearings		Scale	Drawn	U. Maier					
			Date	13.06.2014					
			changed					
FERROVAC GMBH CH-8050 ZURICH		1:1		RM40-1250-0030					
THE INFORMATION CONTAINED IN THIS DRAWING IS THE SOLE PROPERTY OF FERROVAC GMBH. ANY REPRODUCTION IN PART OR AS WHOLE WITHOUT OUR PERMISSION IS PROHIBITED.		Rev.	A	sheet 1/1					