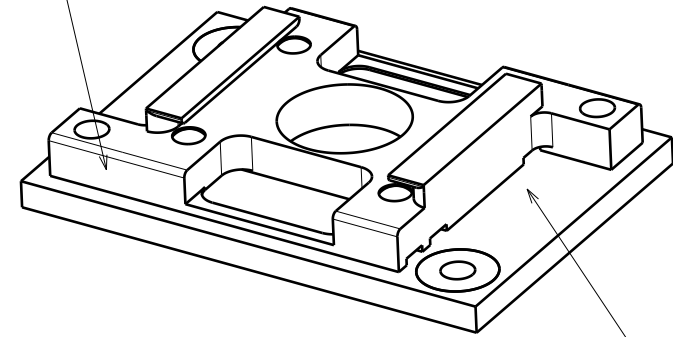
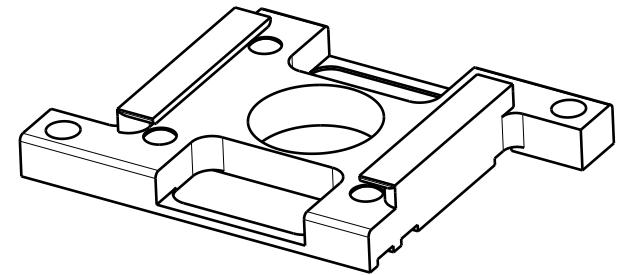


RECOMHTR1001S



Boralectric resistive heating element not included



$\sqrt{\text{Ra } 0.8}$ (✓) $\begin{matrix} +0.2 \\ +0.1 \end{matrix}$ $\begin{matrix} -0.1 \\ -0.2 \end{matrix}$
 general tolerances ISO 2768-K

Material: fully UHV compatible		nominal	over	1	6	30	100	300	1000
Receptacle for SHOM sample plates		dimension up to		6	30	100	300	1000	2000
RECOMHTR1001S		tolerance \pm		0.05	0.1	0.3	0.5	0.8	1.2
		Scale	Drawn	D.Rechsteiner					
		1:2	Date	07.03.2014					
			changed					
Ferrovac GmbH		THE INFORMATION CONTAINED IN THIS DRAWING IS THE SOLE PROPERTY OF FERROVAC GMBH. ANY REPRODUCTION IN PART OR AS WHOLE WITHOUT OUR PERMISSION IS PROHIBITED.		RECOMHTR1001S					
CH-8050 Zurich		Rev.	A	sheet 1/1					