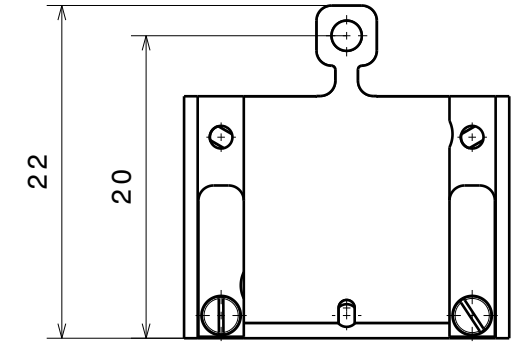
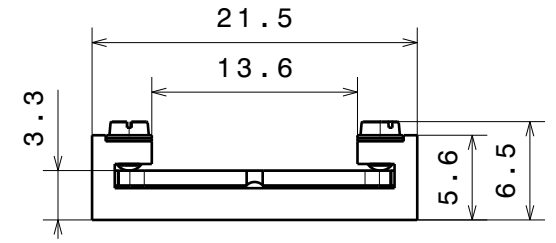
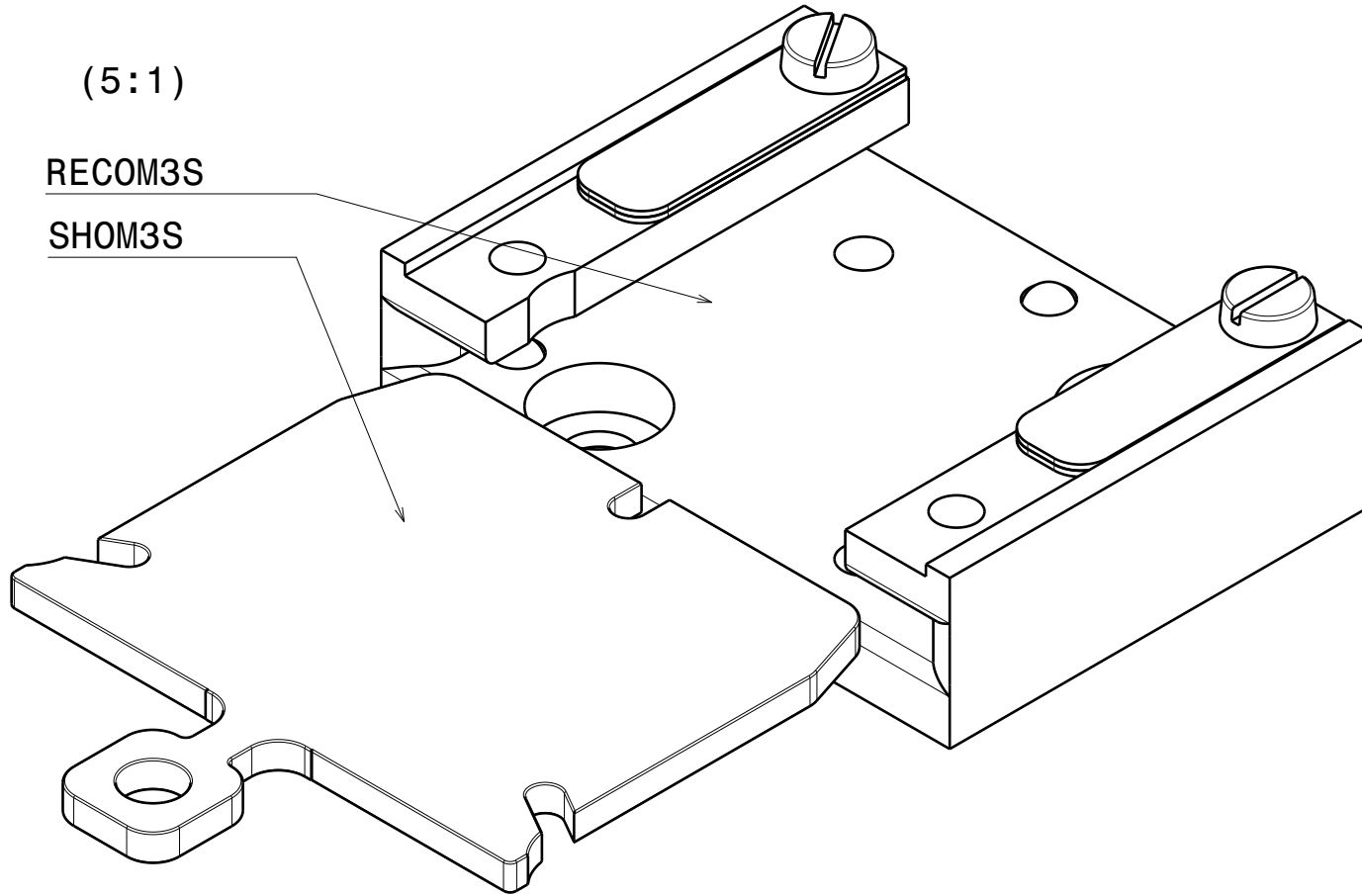


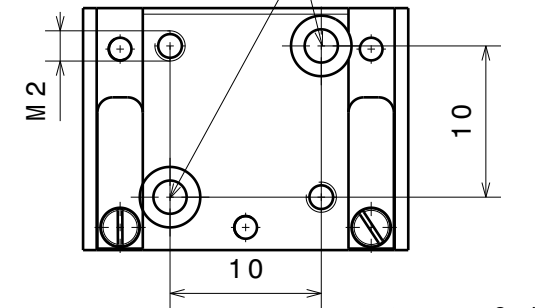
(5:1)

RECOM3S

SHOM3S

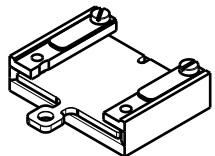


For M2 cheesehead screws



$\sqrt{\text{Ra } 1.6}$ (✓) $\begin{matrix} +0.2 \\ +0.1 \end{matrix}$ $\begin{matrix} -0.1 \\ -0.2 \end{matrix}$
 general tolerances ISO 2768-K

(1:1)



Material: Sapphire, According to order	nominal	over	1	6	30	100	300	1000
Sample receiver with three-point contact	dimension up to		6	30	100	300	1000	2000
	tolerance ±		0.05	0.1	0.3	0.5	0.8	1.2
REC	Scale	Drawn	Denys Sutter					
		Date	02.04.2014					
		Checked	...					
Ferrovac GmbH CH-8050 Zurich	THE INFORMATION CONTAINED IN THIS DRAWING IS THE SOLE PROPERTY OF FERROVAC GMBH. ANY REPRODUCTION IN PART OR AS WHOLE WITHOUT OUR PERMISSION IS PROHIBITED.	Scale	2:1 (5:1) (1:1)					
			RECOM3S sheet 1/1					