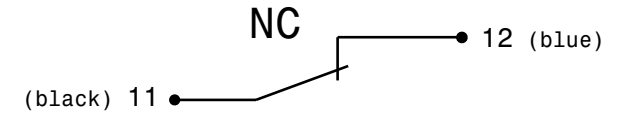


max actuating force: <10N

AWG 18 (PTFE) L=1500±50
open wired, scope of delivery:
2x Amphenol T 3274 501 plugs incl.

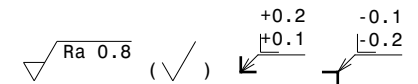
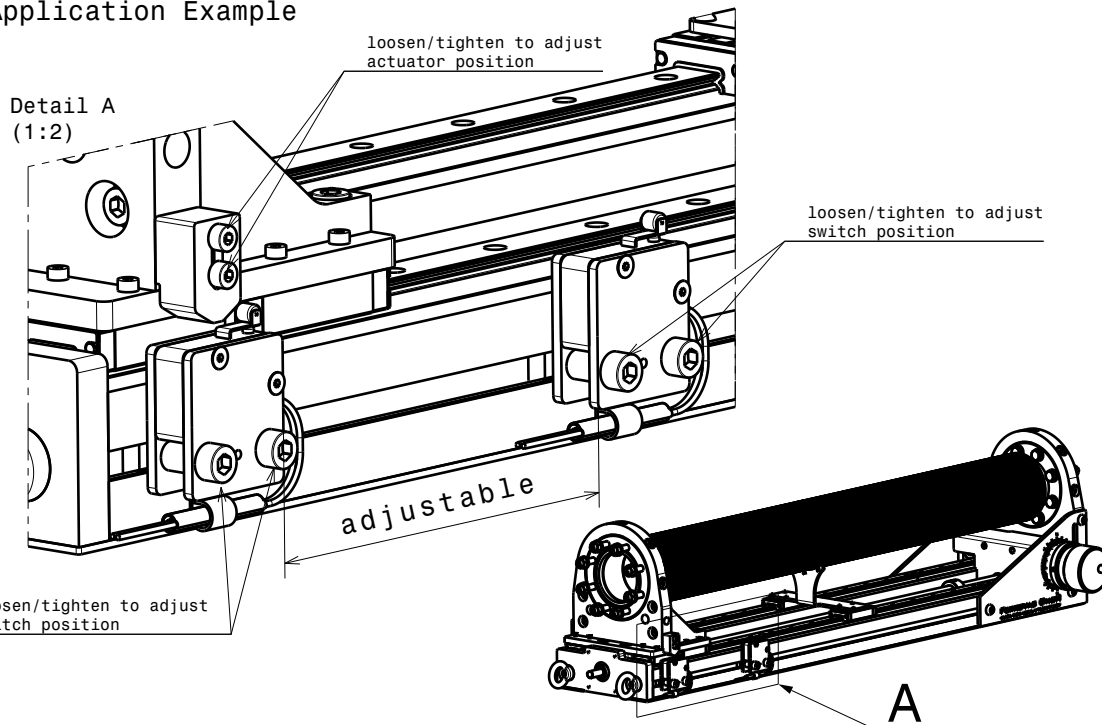
circuit diagram



Switch Specifications

protection class	IP 67 IEC 60 529
nominal voltage	250 V AC / 24 V DC
max current	250 V AC, 13 A 24 V DC, 8A
min power	12 V DC, 10 mA
ambient temperature	-40°C to 150°C

Application Example



Material:	nominal ≤30mm dimensions >30mm	DIN ISO 2768-f-H DIN ISO 2768-m-K excluding Sym./Runout
Limit Switch Kit for Boomerax Z-Shift Manipulators	Sym./Runout >30mm	DIN ISO 2768-H
	formed part dimensions	DIN ISO 2768-f-H
MZLIMELKIT	Scale	Drawn C.Weiss
	1:2	Date
Ferrovac GmbH CH-8050 Zurich		Changed
	Rev.	A

THE INFORMATION CONTAINED IN THIS DRAWING IS THE SOLE PROPERTY OF FERROVAC GMBH. ANY REPRODUCTION IN PART OR AS WHOLE WITHOUT OUR PERMISSION IS PROHIBITED.