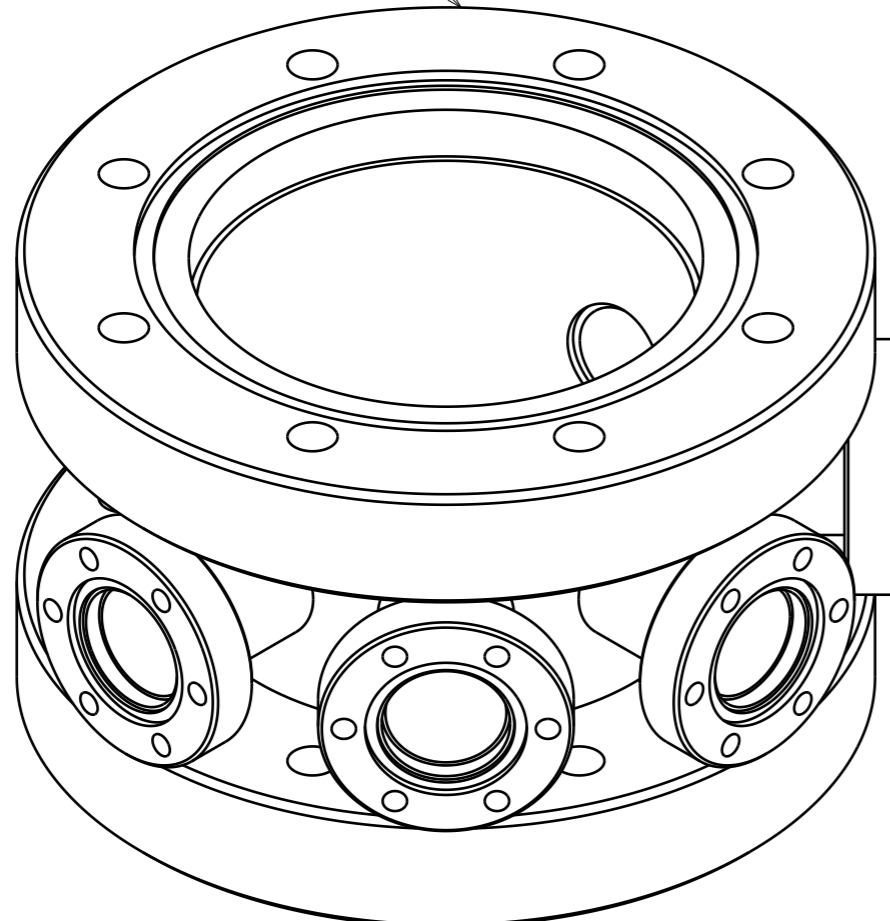
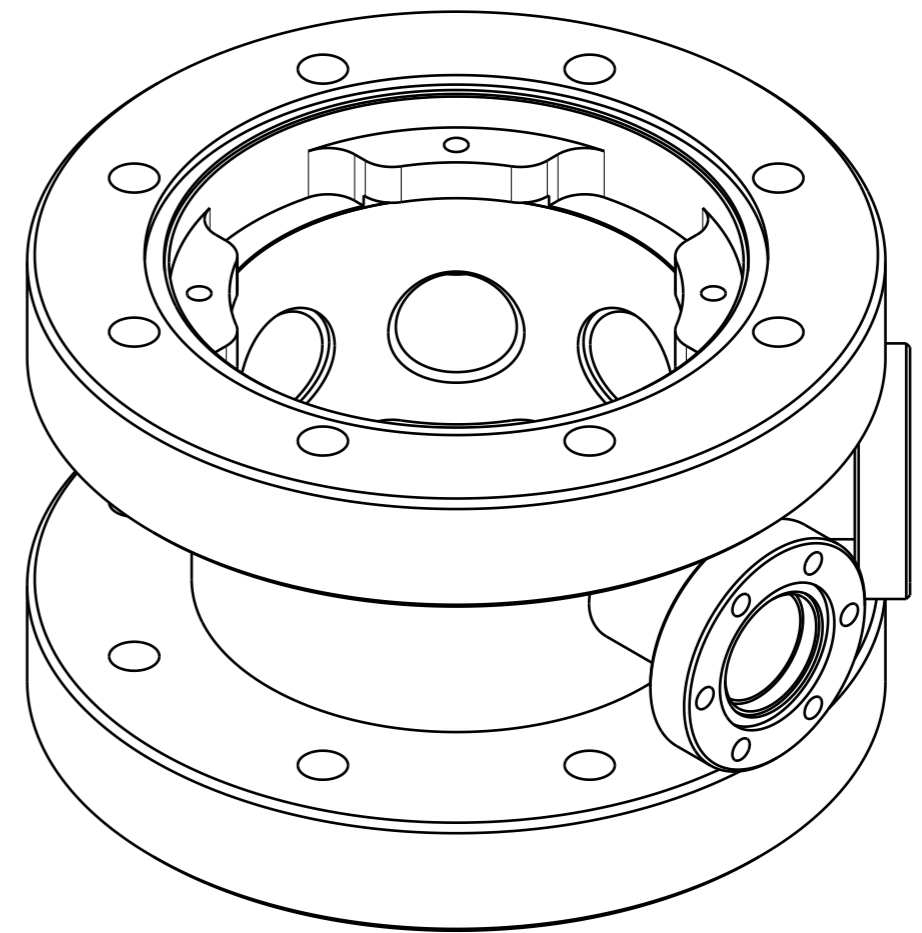


DN63CF Tapped M8

5 x DN16CF Tapped M4



DN63CF Tapped M8



$\sqrt{\text{Ra } 0.8}$ ($\sqrt{\quad}$) $\begin{matrix} +0.2 \\ +0.1 \end{matrix}$ $\begin{matrix} -0.1 \\ -0.2 \end{matrix}$
 general tolerances ISO 2768-K

Material: 1.4301	nominal dimension	over up to	1	6	30	100	300	1000
	tolerance	±	0.05	0.1	0.3	0.5	0.8	1.2
Tapped Parallel Feedthrough Chamber	Scale	Drawn	M.Maier					
		Date	17.10.2017					
		Changed	29.06.2018 CW					
Ferrovac GmbH CH-8050 Zurich	THE INFORMATION CONTAINED IN THIS DRAWING IS THE SOLE PROPERTY OF FERROVAC GMBH. ANY REPRODUCTION IN PART OR AS WHOLE WITHOUT OUR PERMISSION IS PROHIBITED.							
	Rev.	B						
	1:1		MZFCCF63TCF63T 5XCF16T A3 sheet 1/2					