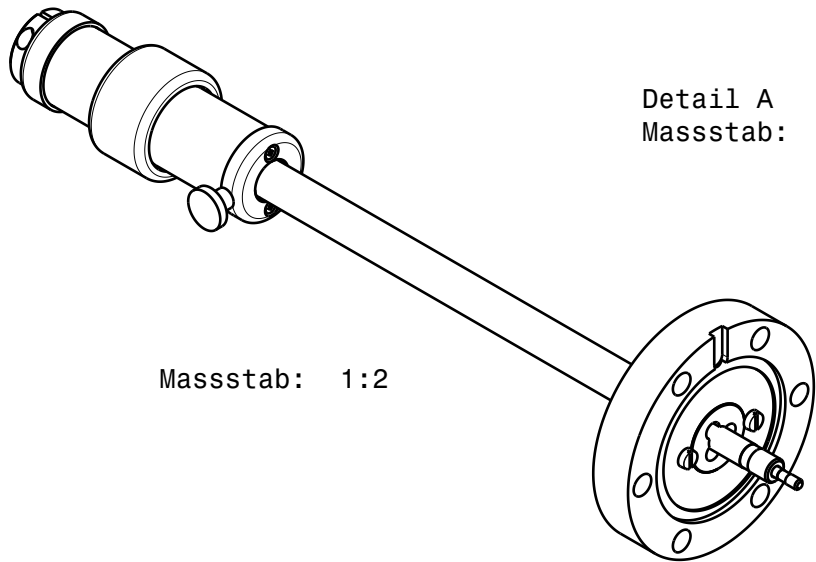
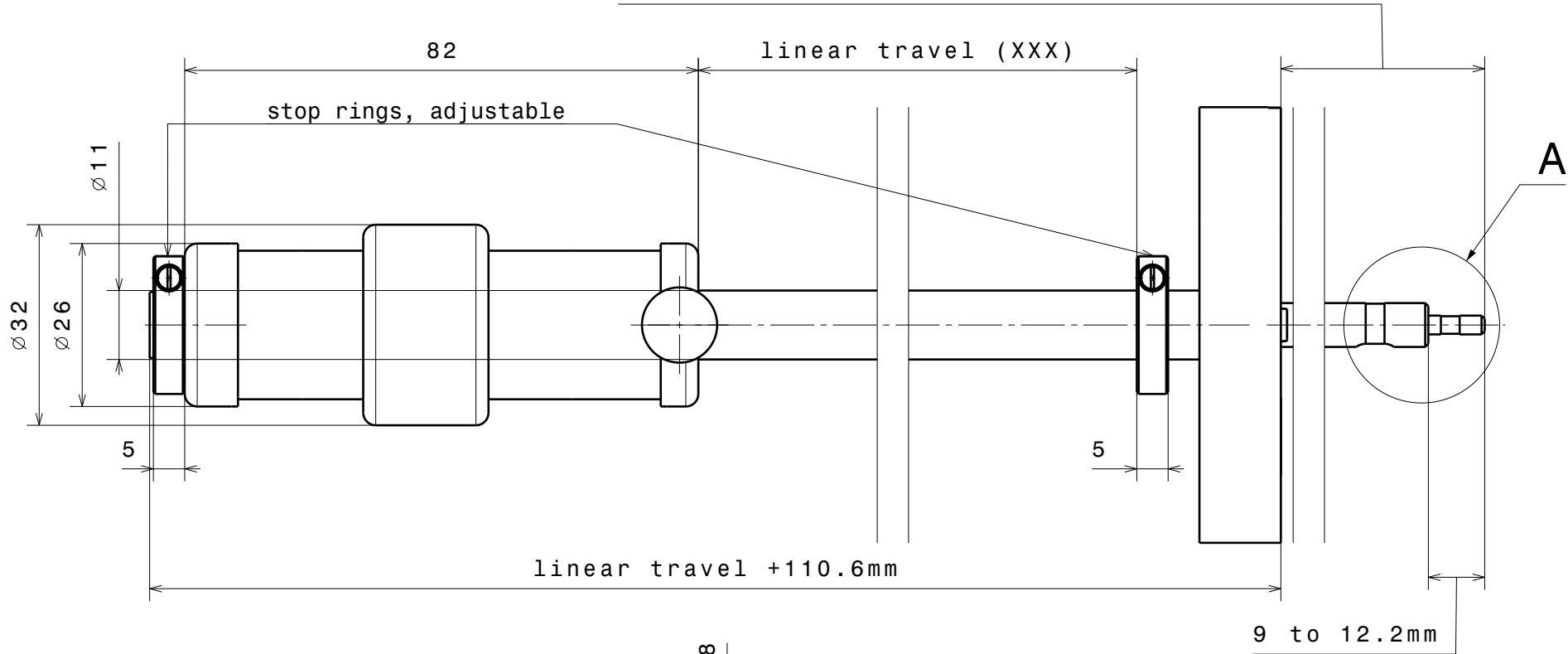
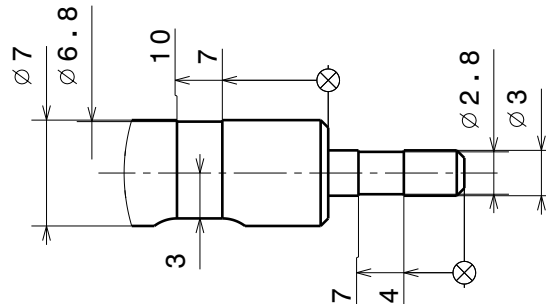


retracted length (YYY standard = 30mm)



Masstab: 1:2

Detail A
Masstab: 2:1



Specification

bakeout temperature max. 150°C
He leak rate < 1.0 · 10⁻¹⁰ mbar
continuous rotation
torque 0.4 Nm
linear force 23 N

Material:	nominal	over	1	6	30	100	300	1000
Dual Shaft Linear/ Rotary Feedthrough DN40CF	dimension up to		6	30	100	300	1000	2000
	tolerance ±		0.05	0.1	0.3	0.5	0.8	1.2
MDG	Scale	Drawn	von Gunten					
Ferrovac GmbH CH-8050 Zurich	1:1	Date	22.11.2010					
		Revised					
THE INFORMATION CONTAINED IN THIS DRAWING IS THE SOLE PROPERTY OF FERROVAC GMBH. ANY REPRODUCTION IN PART OR AS WHOLE WITHOUT OUR PERMISSION IS PROHIBITED.			MDG40 sheet 1/1					