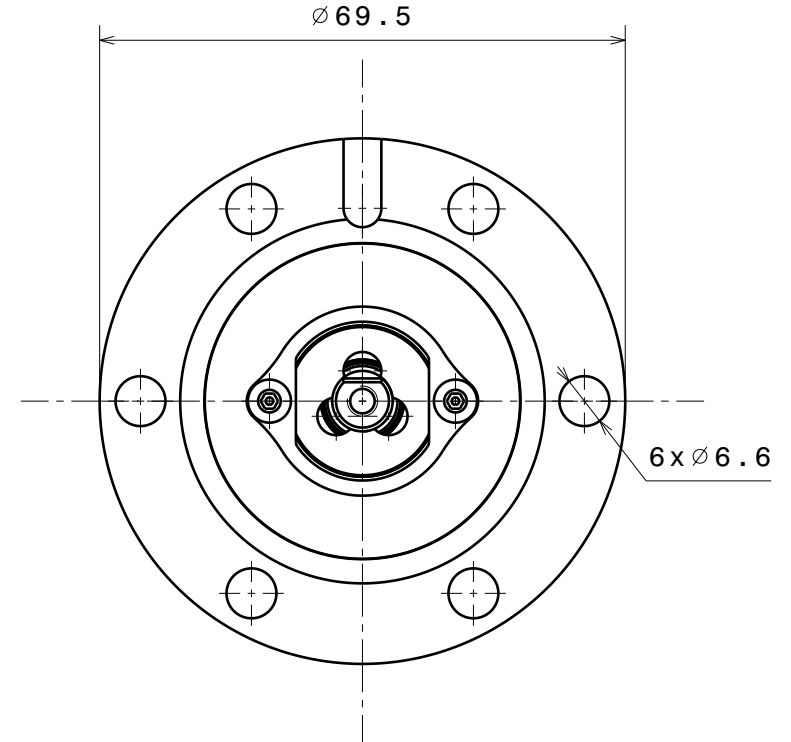
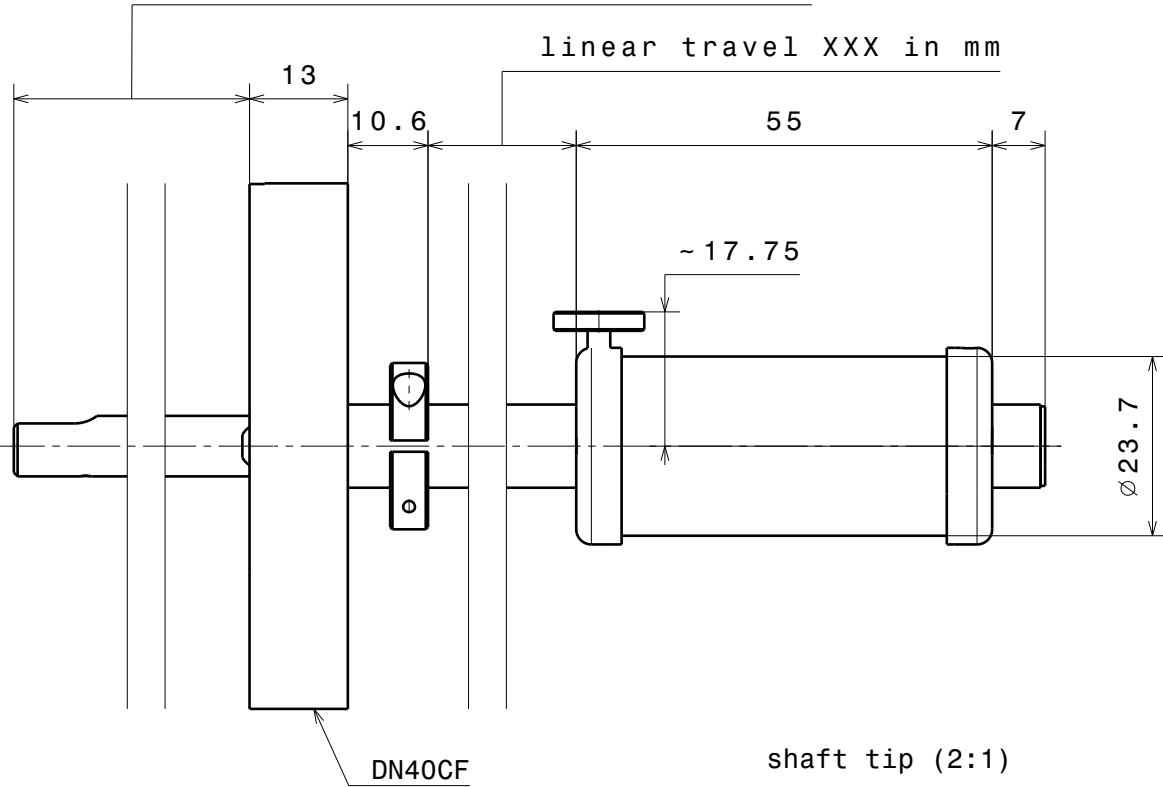
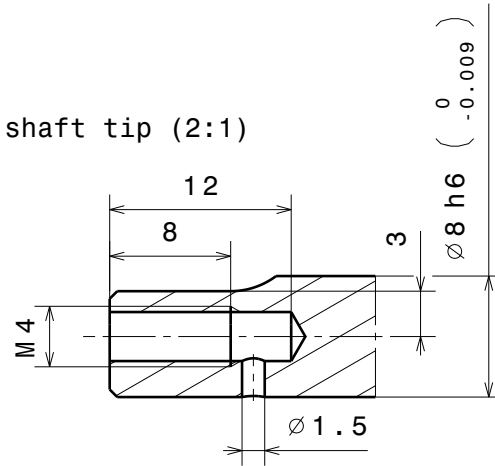


retracted shaft length YYY in mm

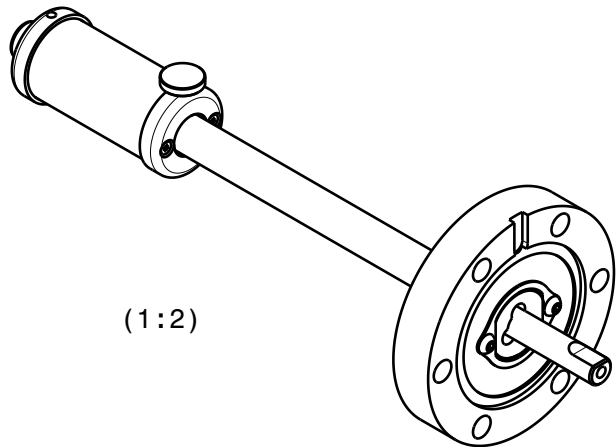
linear travel XXX in mm



shaft tip (2:1)



$\sqrt{\text{Ra } 1.6}$ (✓) \swarrow $\begin{matrix} +0.2 \\ +0.1 \end{matrix}$ \searrow $\begin{matrix} -0.1 \\ -0.2 \end{matrix}$
 general tolerances ISO 2768-K



Material: all UHV compatible		nominal	over	1	6	30	100	300	1000
Linear/Rotary feedthrough DN40CF		dimension up to		6	30	100	300	1000	2000
MD		tolerance ±		0.05	0.1	0.3	0.5	0.8	1.2
		Scale	Drawn	Denys Sutter					
		1:1	Date	22.03.2011					
		(1:2)	Revised	30.09.19 CW					
		(2:1)	MD40						
Ferrovac GmbH CH-8050 Zurich		Rev. D							
<small>THE INFORMATION CONTAINED IN THIS DRAWING IS THE SOLE PROPERTY OF FERROVAC GMBH. ANY REPRODUCTION IN PART OR AS WHOLE WITHOUT OUR PERMISSION IS PROHIBITED.</small>									