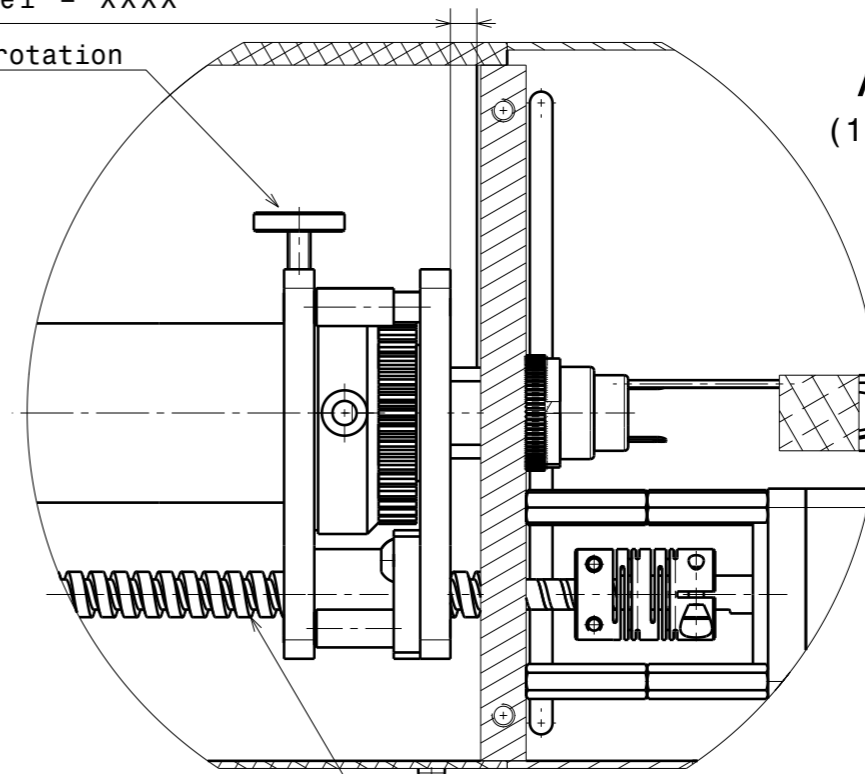


linear travel = XXXX

screw to fix rotation



A
(1:1)

2mm pitched spindle drive (or 1mm on request)

Ra 0.8 (✓) $\begin{matrix} +0.2 \\ +0.1 \end{matrix}$ $\begin{matrix} -0.1 \\ -0.2 \end{matrix}$
 general tolerances ISO 2768-K

Order Code:

MD40-□□□□-□□□□-DRVMDMOTL

retracted length YYYY
 linear travel XXXX

Material:	nominal dimension	over up to	1	6	30	100	300	1000
			6	30	100	300	1000	2000
	tolerance ±		0.05	0.1	0.3	0.5	0.8	1.2
Motorized Linear/Manual Rotary Manipulator	Scale	Drawn	C. Weiss					
MD40-XXXX-YYYYY-DRVMDMOTL	1:2	Date	13.07.2015					
	(2:1)	Changed					
	(1:1)		MD40-XXXX-YYYYY-DRVMDMOTL					
Ferrovac GmbH	Rev. A		A3 sheet 1/2					
CH-8050 Zurich			THE INFORMATION CONTAINED IN THIS DRAWING IS THE SOLE PROPERTY OF FERROVAC GMBH. ANY REPRODUCTION IN PART OR AS WHOLE WITHOUT OUR PERMISSION IS PROHIBITED.					