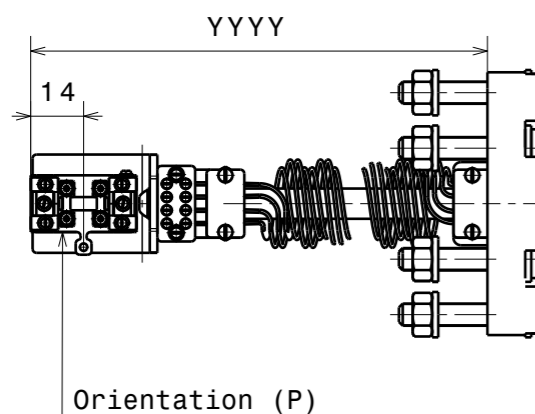
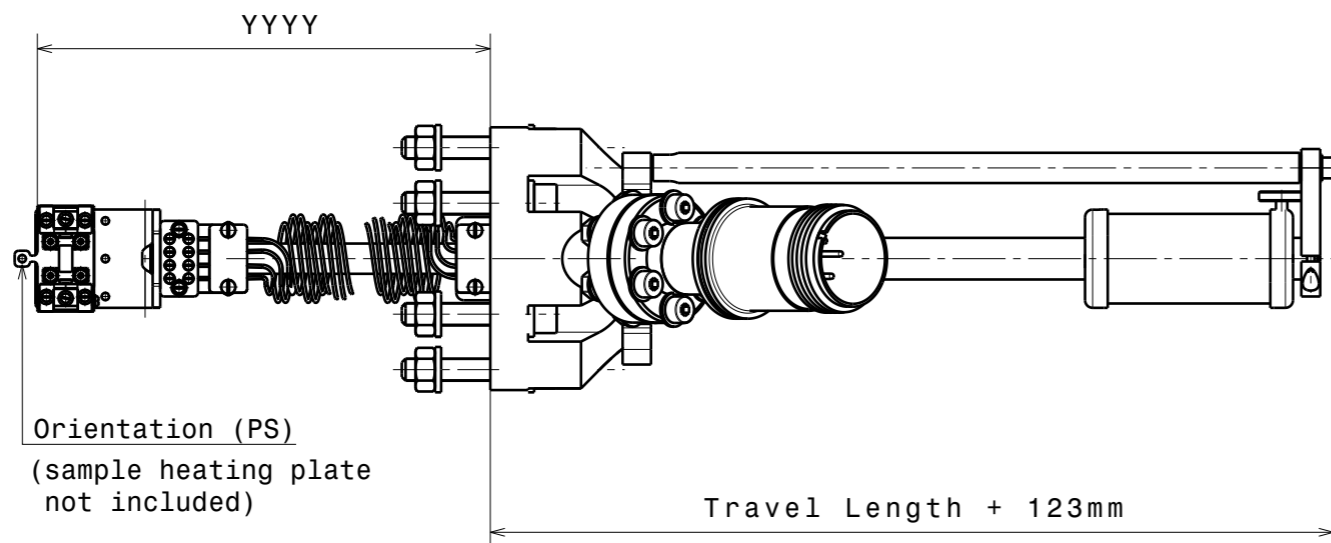


Terminal	Function
A	heater
B	if incl.: TC - (Ni-Al)
C	if incl.: TC + (Ni-Cr)
D	heater



$\sqrt{\text{Ra } 0.8}$ (✓) $\swarrow \begin{matrix} +0.2 \\ +0.1 \end{matrix}$ $\searrow \begin{matrix} -0.1 \\ -0.2 \end{matrix}$

Material:	nominal $\leq 30\text{mm}$ dimensions $> 30\text{mm}$	DIN ISO 2768-f-H DIN ISO 2768-m-K excluding Sym./Runout
DC Heating Station for Flag Style Plates	Sym./Runout $> 30\text{mm}$	DIN ISO 2768-H
	formed part dimensions	DIN ISO 2768-f-H
Scale	Drawn	J. Buechi
	Date	16.06.2021
1:2	Changed	14.09.2021 NS
	HSASOM40 (DCMD)	
Ferrovac GmbH CH-8050 Zurich	THE INFORMATION CONTAINED IN THIS DRAWING IS THE SOLE PROPERTY OF FERROVAC GMBH. ANY REPRODUCTION IN PART OR AS WHOLE WITHOUT OUR PERMISSION IS PROHIBITED.	
Rev. C	A3 sheet 1/1	