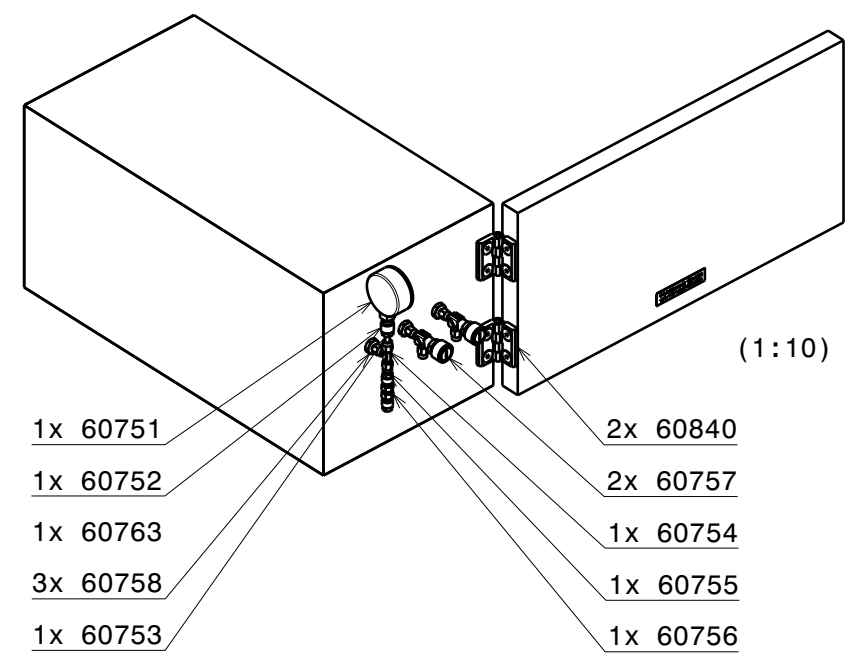
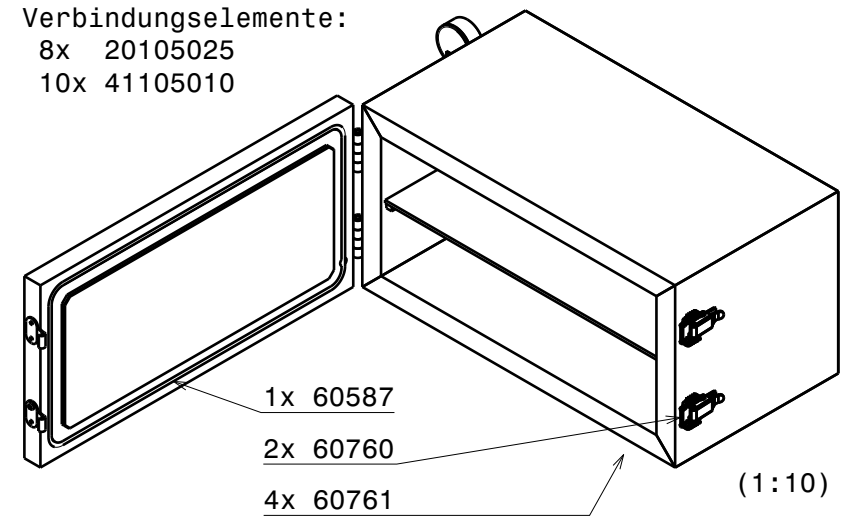


Verbindungselemente:  
 8x 20105025  
 10x 41105010



Material: ...	nominal	over	1	6	30	100	300	1000
EXSICA2W	dimension up to		6	30	100	300	1000	2000
EXSICA, 2 Slots, Extrawide	tolerance ±		0.05	0.1	0.3	0.5	0.8	1.2
<b>Ferrovac GmbH</b> CH-8050 Zurich	Scale	Drawn	A.Zandonella					
	1:5	Date	09.07.2013					
THE INFORMATION CONTAINED IN THIS DRAWING IS THE SOLE PROPERTY OF FERROVAC GMBH. ANY REPRODUCTION IN PART OR AS WHOLE WITHOUT OUR PERMISSION IS PROHIBITED.	Rev. C	changed	05.09.18 CW					
			EXSICA2W sheet 1/3					