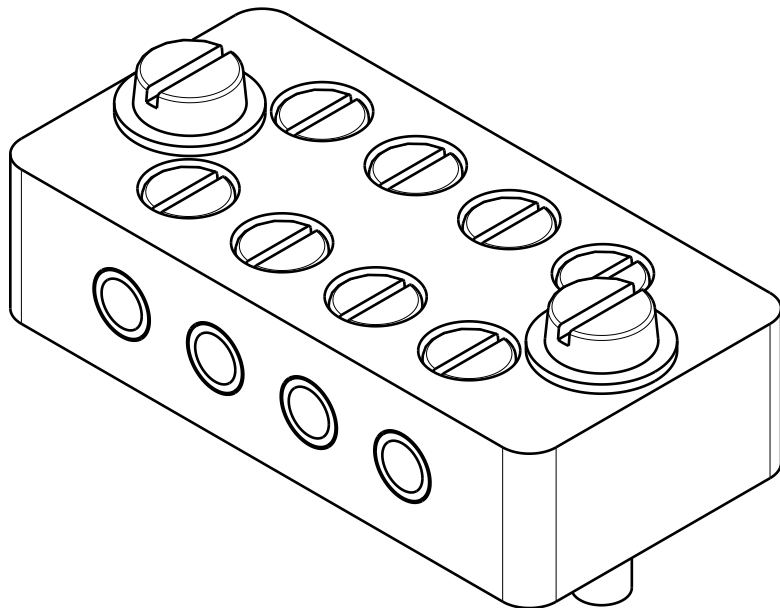


C = Chromel (+)  
A = Alumel (-)



Labeling as shown in this drawing is done in pencil by the assembly engineer, on one side only.



Material: All UHV compatible	nominal $\leq 30\text{mm}$	DIN ISO 2768-f-H
	dimensions $> 30\text{mm}$	DIN ISO 2768-m-K excluding Sym./Runout
Terminal Block for two K-type Thermocouples	Sym./Runout $> 30\text{mm}$	DIN ISO 2768-H
	formed part dimensions	DIN ISO 2768-f-H
<b>Ferrovac GmbH</b> <b>CH-8050 Zurich</b>	Scale	5:1
	Drawn	J.Buechi
	Date	25.06.2020
<small>THE INFORMATION CONTAINED IN THIS DRAWING IS THE SOLE PROPERTY OF FERROVAC GMBH. ANY REPRODUCTION IN PART OR AS WHOLE WITHOUT OUR PERMISSION IS PROHIBITED.</small>	Changed	5.10.20 JB
	Rev.	B
		<b>ELULTP4TCK</b> A4 sheet 1/1