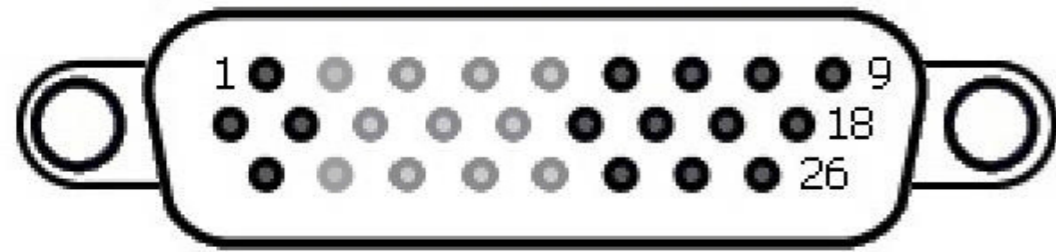


2mm pitched spindle drive (or 1mm on request)

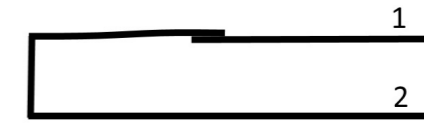
∇ Ra 0.8 (✓) ∇ $\begin{matrix} +0.2 \\ +0.1 \end{matrix}$ ∇ $\begin{matrix} -0.1 \\ -0.2 \end{matrix}$
 general tolerances ISO 2768-K

Material:	nominal dimension	over up to	1	6	30	100	300	1000
Motorized Linear Drive for MD40 Feedthrough	tolerance ±		0.05	0.1	0.3	0.5	0.8	1.2
DRVMDMOTL	Scale	Drawn	C.Weiss					
		Date	13.07.2015					
		Changed	23.09.2019					
Ferrovac GmbH CH-8050 Zurich	THE INFORMATION CONTAINED IN THIS DRAWING IS THE SOLE PROPERTY OF FERROVAC GMBH. ANY REPRODUCTION IN PART OR AS WHOLE WITHOUT OUR PERMISSION IS PROHIBITED.	1:2	DRVMDMOTL					
Rev. B			A3 sheet 1/2					



D-Sub Pin	Function	
1	Linear Motor	(A\) GN
2		
3		
4		
5		
6	LED	RED
7	Limitswitch (BACK)	BLU
8	Limitswitch (BACK)	BLK
9	Fan	+12VDC
10	Linear Motor	(A) BLK
11	Linear Motor	(B) RD
12		
13		
14		
15	LED	GND
16	LED	Green
17	Limitswitch (Front)	BLU
18	Fan	Sig.
19	Linear Motor	(B\) BU
20		
21		
22		
23		
24	LED	BLUE
25	Limitswitch (Front)	BLK
26	Fan	GND

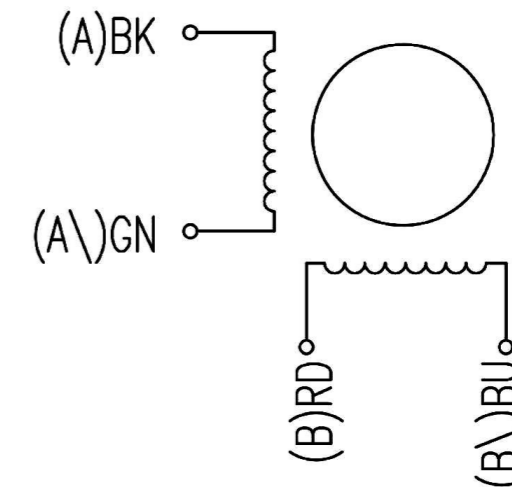
Limitswitch (Front)



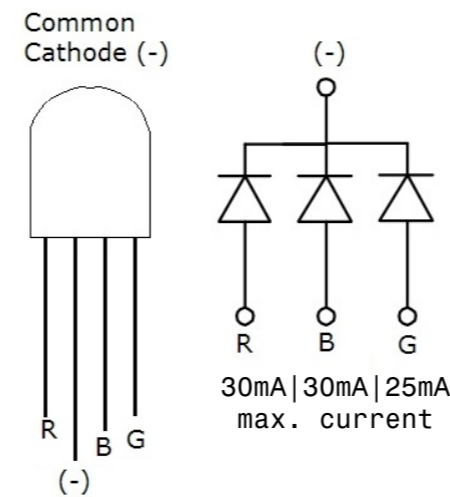
Limitswitch (Back)



Linear Motor Schematic



LED (+5VDC)



Material:	nominal dimension	over up to	1	6	30	100	300	1000
Motorized Linear Drive for MD40 Feedthrough	tolerance	±	0.05	0.1	0.3	0.5	0.8	1.2
DRVMDMOTL	Scale	Drawn	C.Weiss					
Ferrovac GmbH CH-8050 Zurich	1:2	Date	29.02.2016					
		Changed					
THE INFORMATION CONTAINED IN THIS DRAWING IS THE SOLE PROPERTY OF FERROVAC GMBH. ANY REPRODUCTION IN PART OR AS WHOLE WITHOUT OUR PERMISSION IS PROHIBITED.	Rev.	A	DRVMDMOTL					
			A3 sheet 2/2					