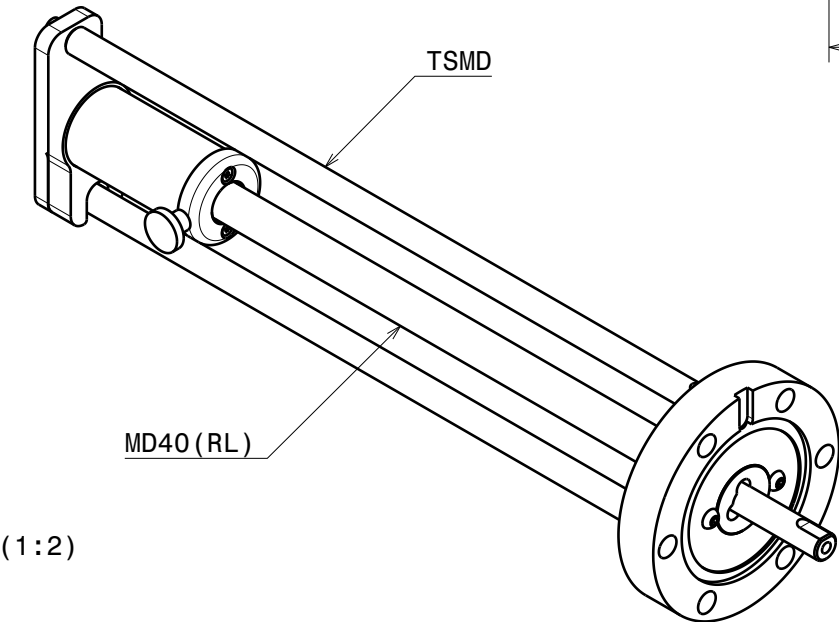
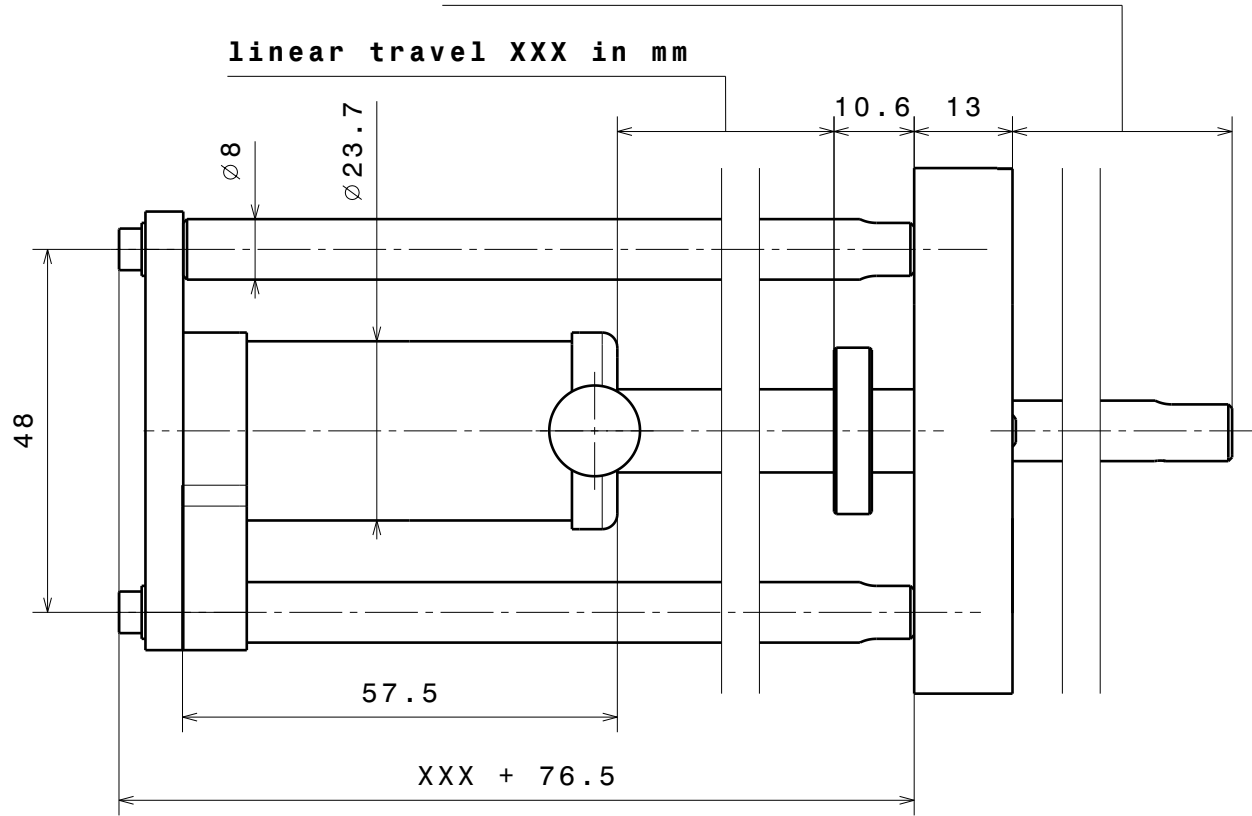
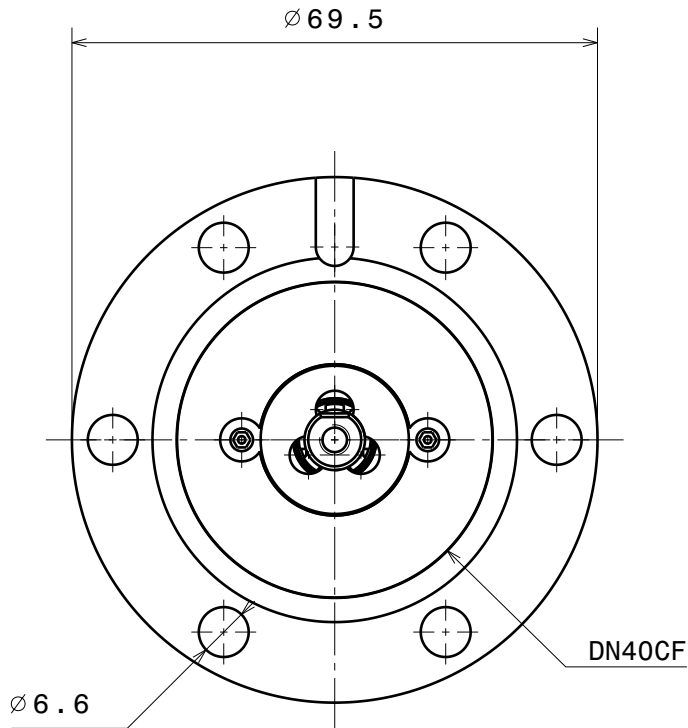
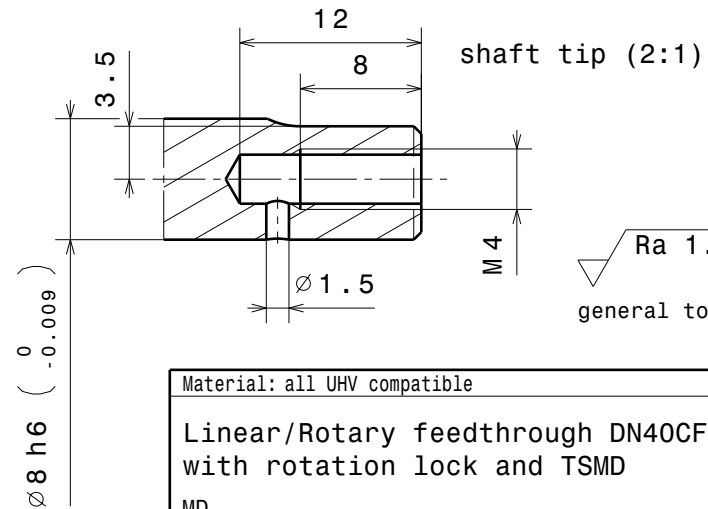


retracted shaft length YYY in mm

linear travel XXX in mm



(1:2)



+0.2
+0.1
-0.1
-0.2
Ra 1.6
general tolerances ISO 2768-K

Ø8 h6 (0 / -0.009)

Material: all UHV compatible		nominal	over	1	6	30	100	300	1000
Linear/Rotary feedthrough DN40CF with rotation lock and TSMD		dimension up to		6	30	100	300	1000	2000
MD		tolerance ±		0.05	0.1	0.3	0.5	0.8	1.2
		Scale	Drawn	Denys Sutter					
			Date	12.04.2011					
			Checked	Name					
Ferrovac GmbH CH-8050 Zurich		THE INFORMATION CONTAINED IN THIS DRAWING IS THE SOLE PROPERTY OF FERROVAC GMBH. ANY REPRODUCTION IN PART OR AS WHOLE WITHOUT OUR PERMISSION IS PROHIBITED.	1:1 (1:2) (2:1)	MD40(RL) - TSMD					