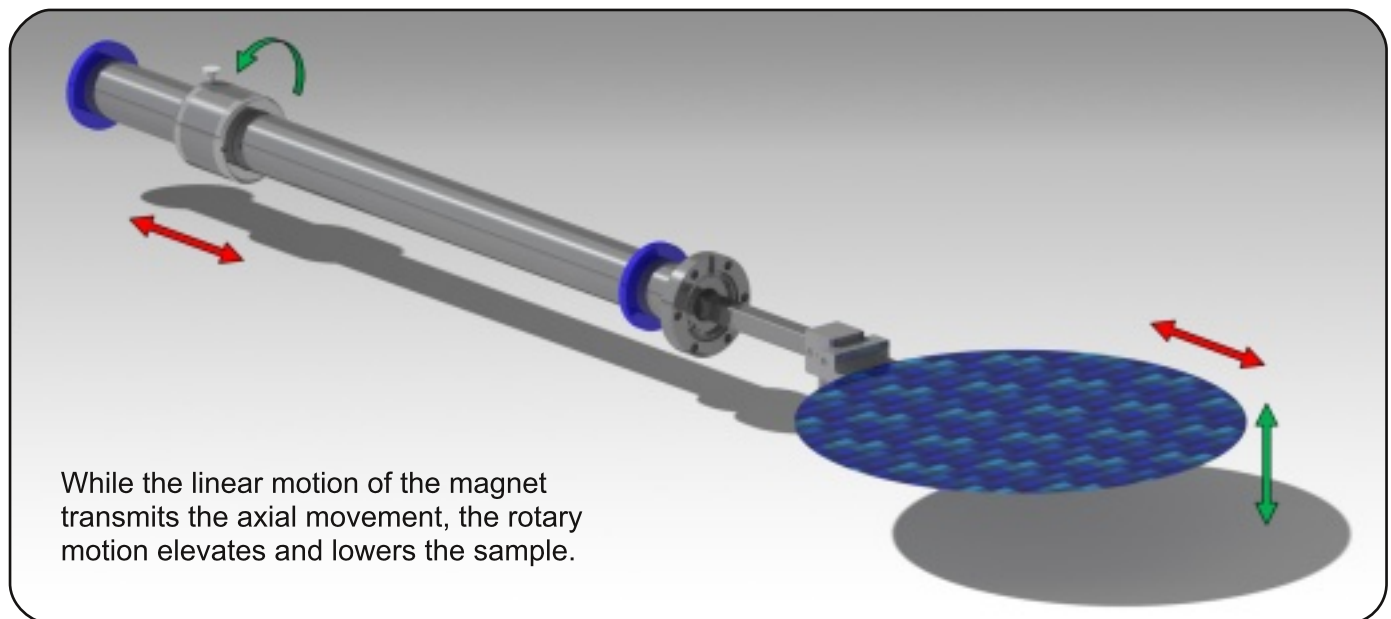


FRKLIFT :: SAMPLE ELEVATOR

Lifting Fork for Sample Transporters

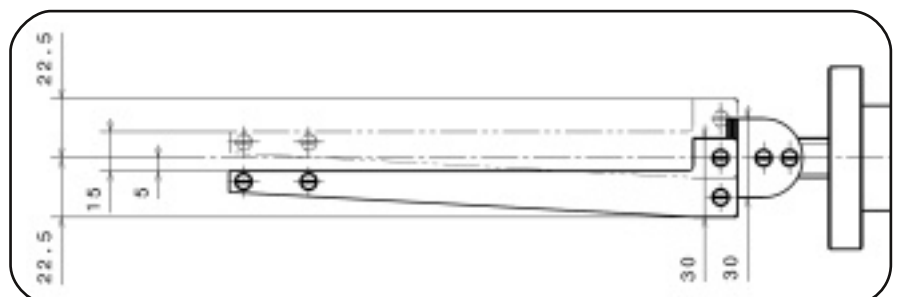
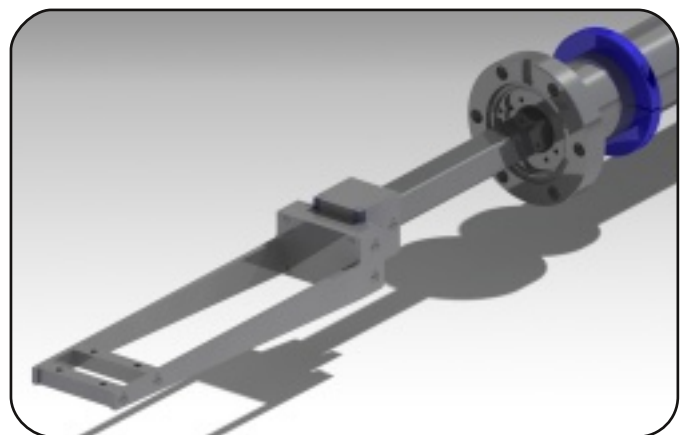
This accessory can be used with the magnetically driven dual shaft sample transporters RMD and RMDG. It allows a movement perpendicular to the transfer axis. In semiconductor industry a typical application is the handling of wafer (slice of semiconductor material).



The FRKLIFT is only one of several possible interfaces. It features four M4 threads to fix a customer specific wafer support, for diameters up to 300mm. Feel free to request a customized interface tailored to your needs.

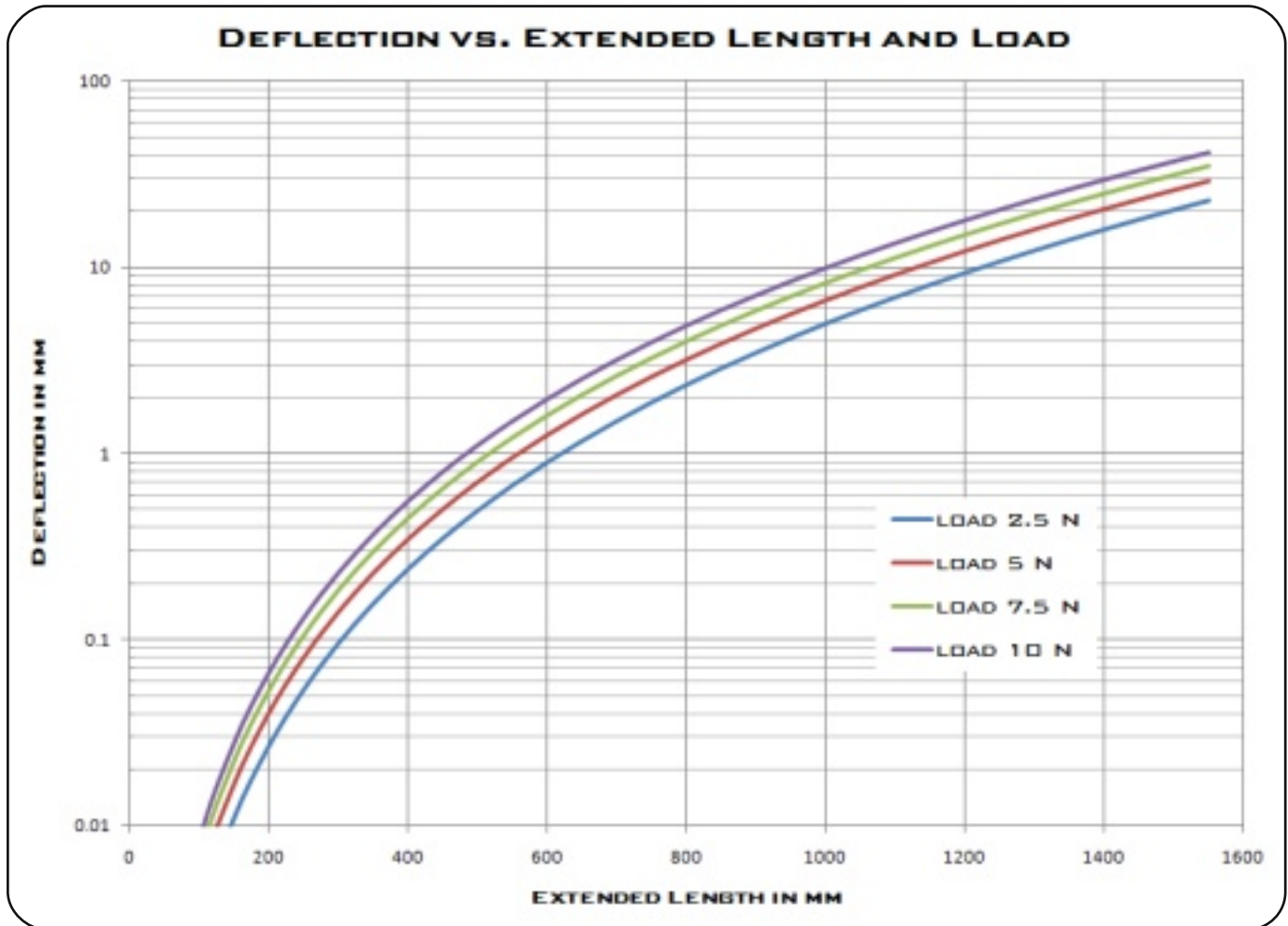
Specifications

- linear travel: 250 to 1000mm or customized
- mounting flange DN40CF (DN63CF on request)
- lifting travel: $\pm 7.5\text{mm}$ (totally 15mm)
- He leak rate: $\leq 1 \times 10^{-10}$ mbar \times l/s
- materials: fully UHV compatible
- bakeout temperature: max 150°C



Axial Deflection of Sample Transporters

This graph shows the vertical deflection at the foremost point of the transfer shaft as a function of the extended length and at different loads.



Useful Options

PA40, PA63:

A port aligner is made with a formed bellows: This simple device is particularly useful for the angular alignment of sample transporters.



LRSWITCH:

This Lockring is fitted with a three pin end switch. Often used in combination with automatic valves to ensure, that the shaft is retracted.

