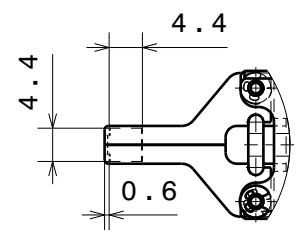
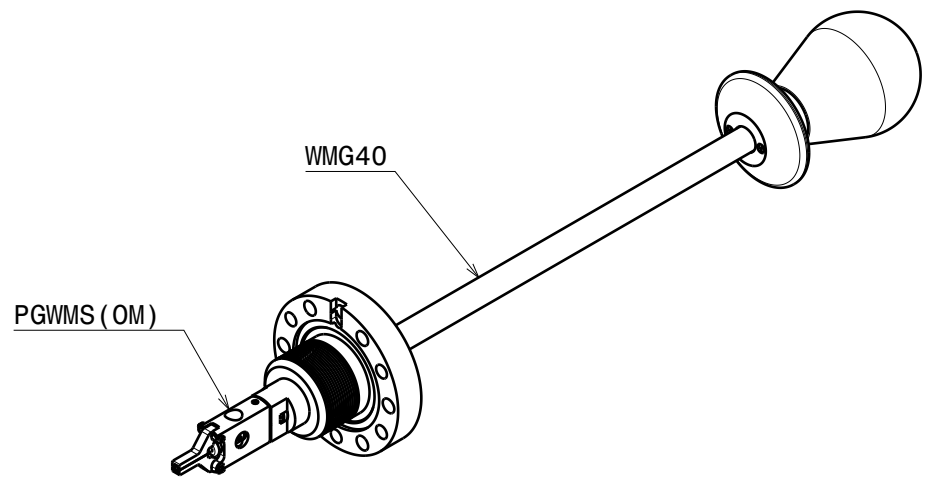
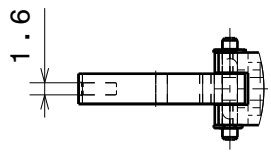


A (1:1) open and closed



Detail B  
scale: 1:1



|   |              |                 |            |     |     |     |      |      |
|---|--------------|-----------------|------------|-----|-----|-----|------|------|
| Material: fully UHV compatible materials  | Nennmass     | über            | 1          | 6   | 30  | 100 | 300  | 1000 |
|   |              | bis             | 6          | 30  | 100 | 300 | 1000 | 2000 |
| Wobblestick manipulator with straight pincer grip   | Toleranz     | ±               | 0.05       | 0.1 | 0.3 | 0.5 | 0.8  | 1.2  |
|   | Masstab      | gezeichnet      | B. Guebeli |     |     |     |      |      |
| WMG40   | Datum        | 05.01.2010      |            |     |     |     |      |      |
|   | geändert     | 17.01.19 JB     |            |     |     |     |      |      |
| <b>Ferrovac GmbH</b><br>CH-8050 Zurich  | 1:2<br>(1:1) | WMG40-PGWMS(OM) |            |     |     |     |      |      |
|   | Rev. C       |                 |            |     |     |     |      |      |
| THE INFORMATION CONTAINED IN THIS DRAWING IS THE SOLE PROPERTY OF FERROVAC GMBH. ANY REPRODUCTION IN PART OR AS WHOLE WITHOUT OUR PERMISSION IS PROHIBITED. |              |                 |            |     |     |     |      |      |