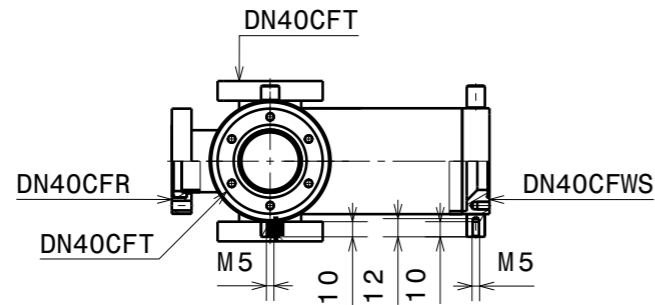
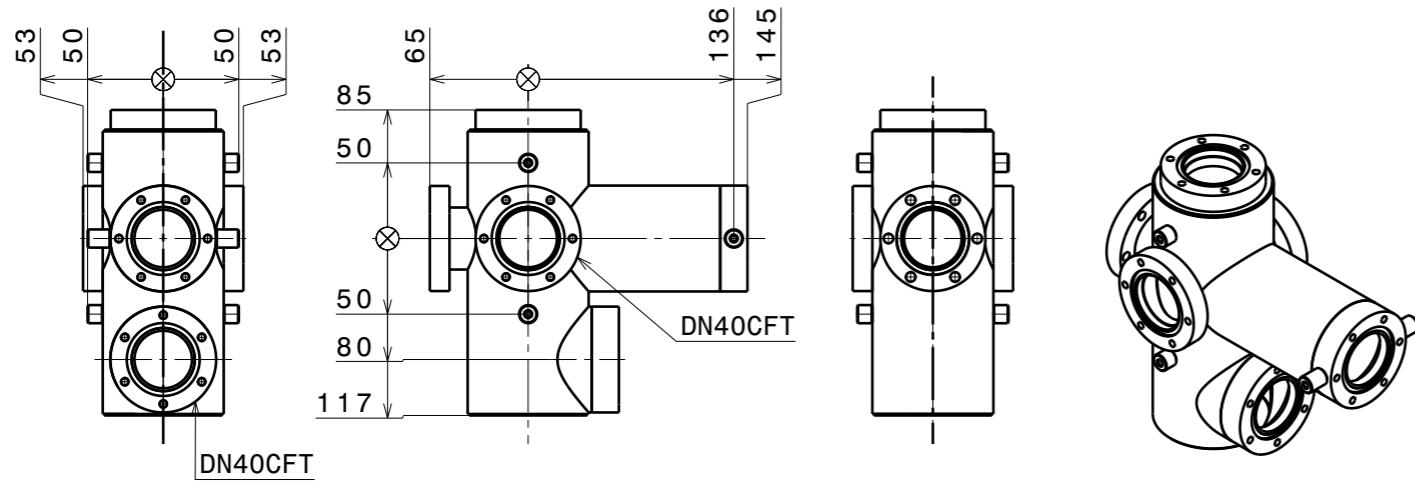


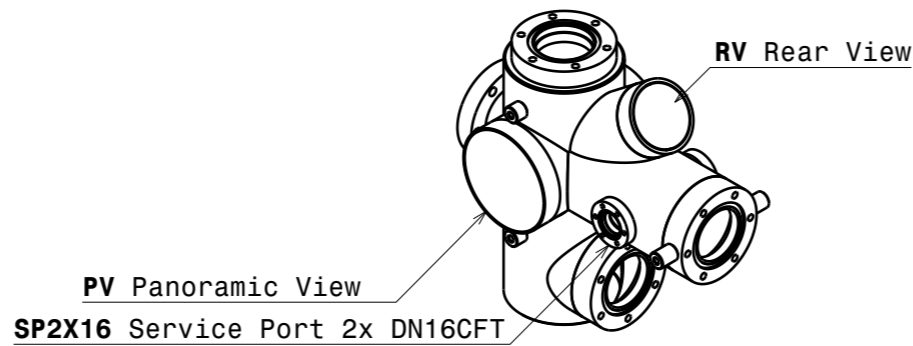
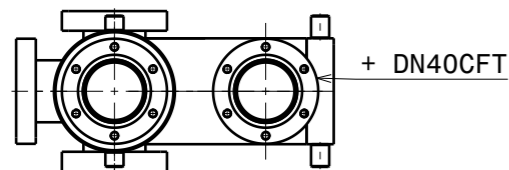
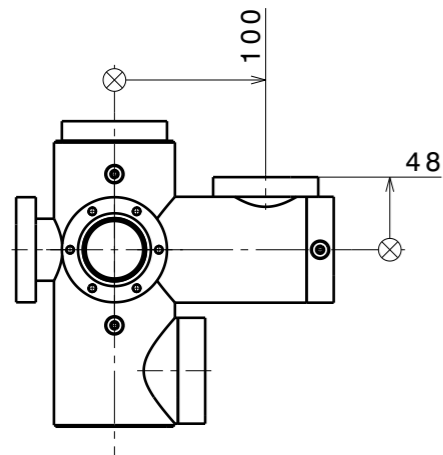
VSN40CH Basic Chamber



Nominal diameter [16|40]
 Flange type [CF|VPWELD]
 R = rotatable (otherwise non rotatable)
 T = tapped holes (otherwise through holes)
 WS = flange with oversize tube (and tapped holes)

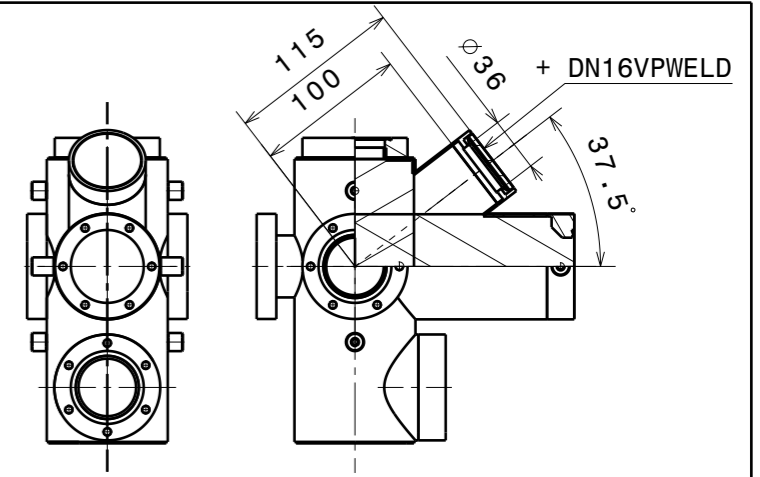
Example configured with three options

SP40 Service Port DN40CFT
 (not compatible with RV)

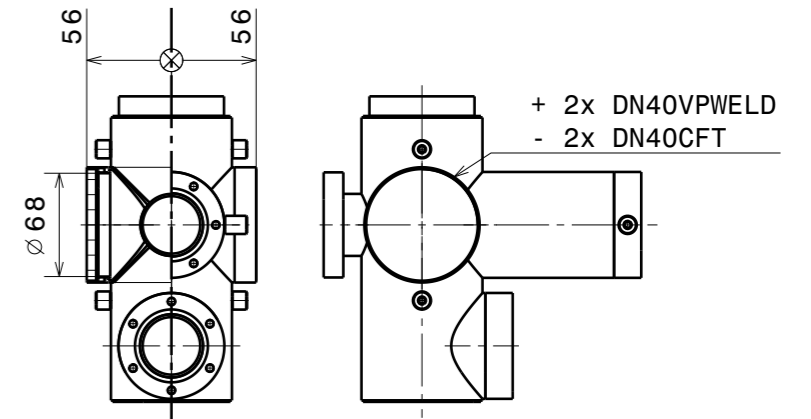


VSN40SCHRVSP2X16PV
 Basic Chamber VSN40SCH with
 Rear View
 Service Port 2x DN16CFT
 Panoramic View

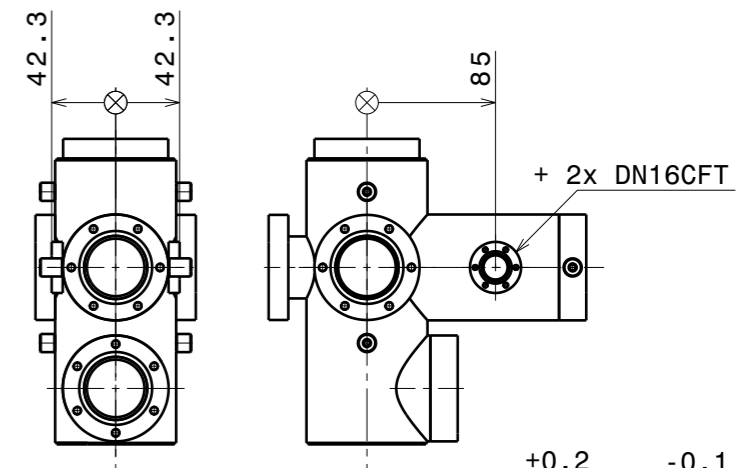
RV Rear View
 (not compatible with SP40)



PV Panoramic View



SP2X16 Service Port 2x DN16CFT



$\sqrt{Ra\ 0.8}$ (✓) $\begin{matrix} +0.2 \\ +0.1 \end{matrix}$ $\begin{matrix} -0.1 \\ -0.2 \end{matrix}$
 general tolerances ISO 2768-K

Material: 304L		nominal dimension	over up to	1	6	30	100	300	1000
Chamber for NexGeneration UHV Suitcase		tolerance ±		6	30	100	300	1000	2000
VSN40S		Scale	Drawn	0.05	0.1	0.3	0.5	0.8	1.2
Ferrovac GmbH CH-8050 Zurich		1:5	Date	von Gunten					
			Changed	25.11.2014					
THE INFORMATION CONTAINED IN THIS DRAWING IS THE SOLE PROPERTY OF FERROVAC GMBH. ANY REPRODUCTION IN PART OR AS WHOLE WITHOUT OUR PERMISSION IS PROHIBITED.		Rev.	G	VSN40SCH					
				A3 sheet 1/1					