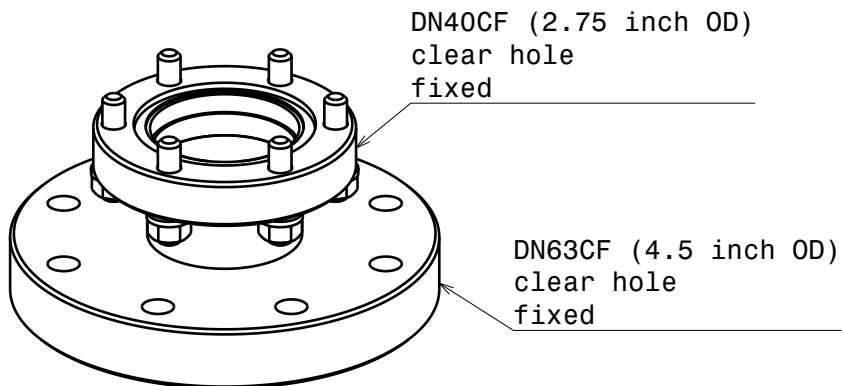
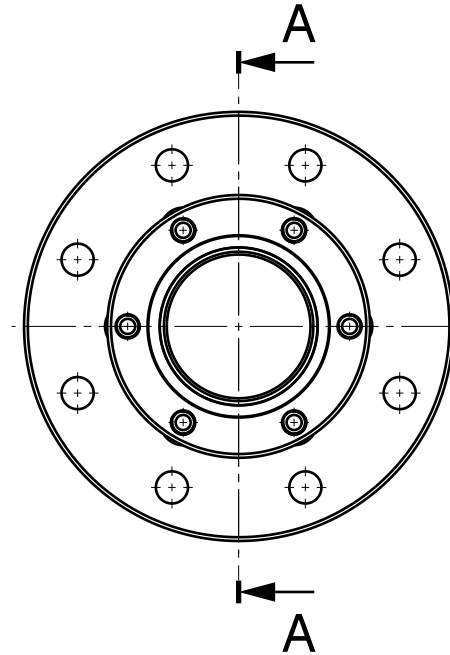
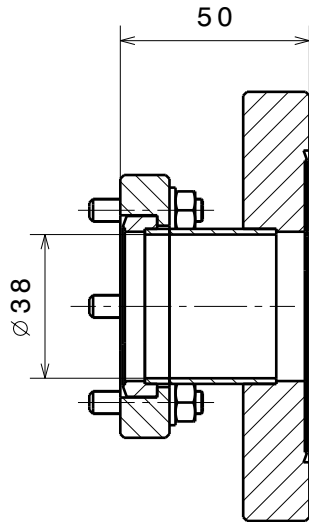


A-A



∇ Ra 0.8 (✓)
 \swarrow $\begin{matrix} +0.2 \\ +0.1 \end{matrix}$
 \searrow $\begin{matrix} -0.1 \\ -0.2 \end{matrix}$

Material: All UHV compatible	nominal ≤ 30 mm	DIN ISO 2768-f-H
	dimensions > 30 mm	DIN ISO 2768-m-K excluding Sym./Runout
DN63CF (4.5 inch OD), DN40CF (2.75 inch OD) Through Hole Adapter, one flange rotatable MXY40	Sym./Runout > 30 mm	DIN ISO 2768-H
	formed part dimensions	DIN ISO 2768-f-H
Scale	Drawn	M. Müller
	Date	16.12.2019
1:2	Changed
	UPGRADEMXY40 (+RNC F63CF40RL50)	
Rev.	A	A4 sheet 1/1

Ferrovac GmbH
CH-8050 Zurich
THE INFORMATION CONTAINED IN THIS DRAWING IS THE SOLE PROPERTY OF FERROVAC GMBH. ANY REPRODUCTION IN PART OR AS WHOLE WITHOUT OUR PERMISSION IS PROHIBITED.