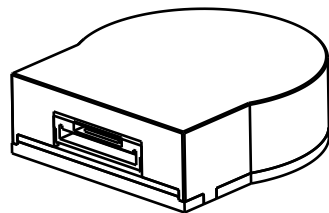
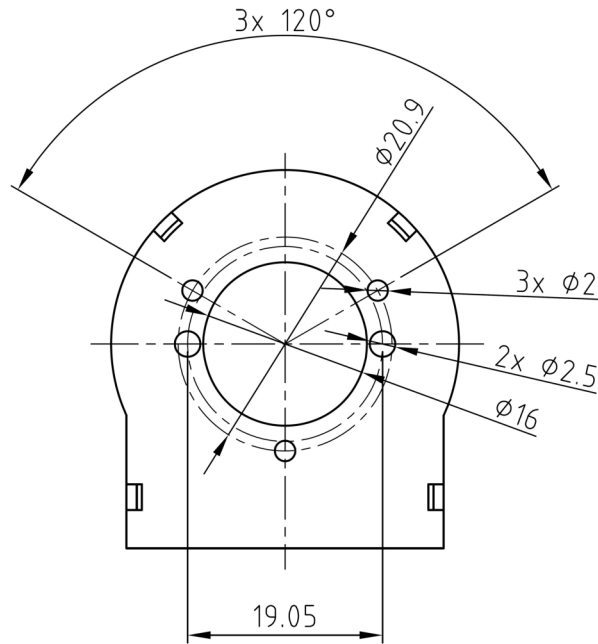
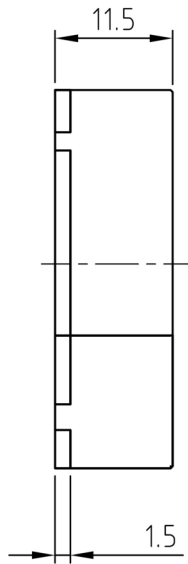
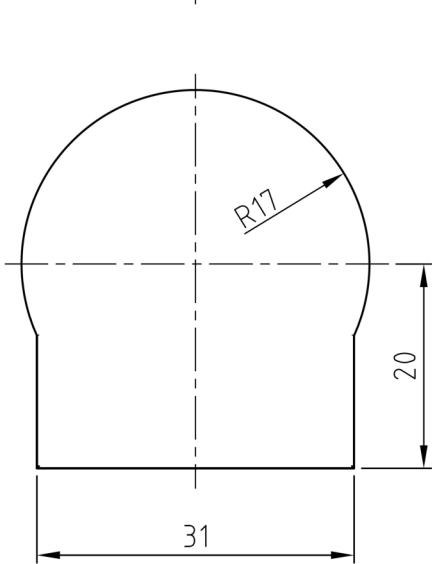
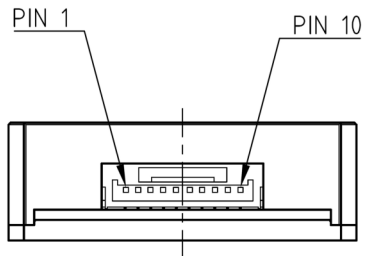
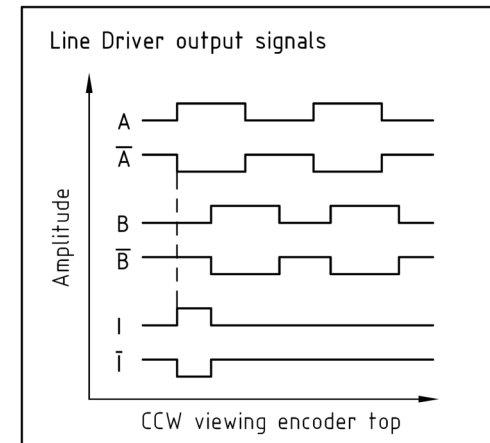


DIMENSION (UNIT : mm)



PIN assignment JST GH - 10pole		Connecting cable ZK-NOE1-10-500-S
PIN No.	Function	Colour
1	GND	GN/WH (shielding)
2	A	GN
3	A\	BN
4	B\	GY
5	B	WH
6	I\	YE
7	I	OG
8	GND	BK
9	+ 5V (NOE2-05)/ +24V (NOE2-24)	RD
10	GND	GN/WH (shielding)

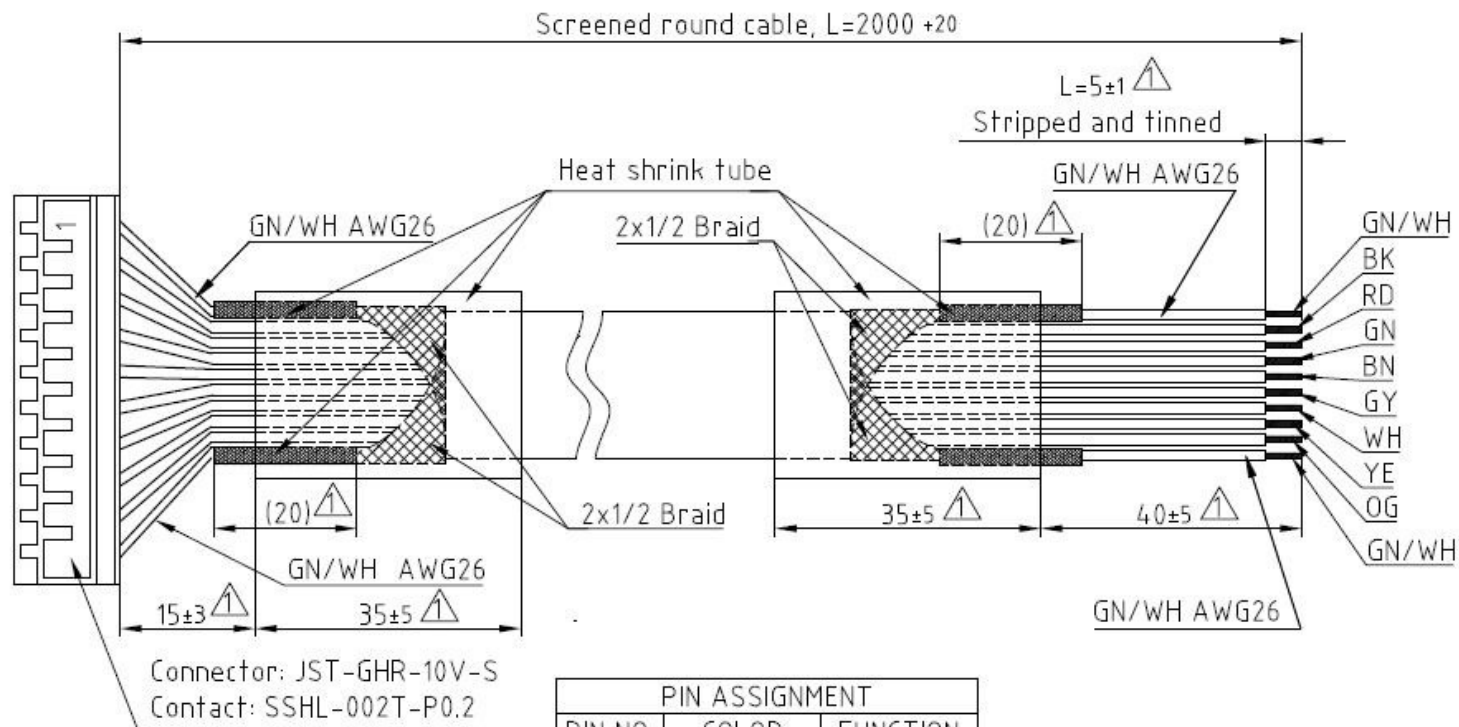


$\sqrt{Ra\ 0.8}$ (✓)
 $\swarrow +0.2$
 $\nwarrow -0.1$
 $\swarrow +0.1$
 $\nwarrow -0.2$

Material:	nominal $\leq 30\text{mm}$ dimensions $> 30\text{mm}$	DIN ISO 2768-f-H DIN ISO 2768-m-K excluding Sym./Runout
Incremental Encoder for direct Motor Mounting UPGRADEMOT5 (+ENCIN4000)	formed part dimensions	DIN ISO 2768-H DIN ISO 2768-f-H
	Scale	Drawn C.Weiss
Ferrovac GmbH CH-8050 Zurich	Date	15.03.2018
	Changed	20.07.2023 JB
	UPGRADEMOT5 (+ENCI N4000)	
Rev. B	A4 sheet 1/2	

THE INFORMATION CONTAINED IN THIS
 DRAWING IS THE SOLE PROPERTY OF
 FERROVAC GMBH. ANY REPRODUCTION
 IN PART OR AS WHOLE WITHOUT OUR
 PERMISSION IS PROHIBITED.

DIMENSION (UNIT : mm)



PIN ASSIGNMENT		
PIN NO.	COLOR	FUNCTION
1	GN/WH	SHIELDING
2	GN	A
3	BN	A\
4	GY	B\
5	WH	B
6	YE	I\
7	OG	I
8	BK	GND
9	RD	V _{CC}
10	GN/WH	SHIELDING

∇ Ra 0.8 (✓)
 \nwarrow +0.2 / +0.1
 \swarrow -0.1 / -0.2

Material:	nominal ≤ 30 mm dimensions > 30 mm	DIN ISO 2768-f-H DIN ISO 2768-m-K excluding Sym./Runout
Incremental Encoder for direct Motor Mounting UPGRADEMOT5 (+ENCIN4000)	formed part dimensions	DIN ISO 2768-H
	Scale	Drawn C.Weiss
Ferrovac GmbH CH-8050 Zurich	Date	15.03.2018
	Changed	20.07.2023 JB
<small>THE INFORMATION CONTAINED IN THIS DRAWING IS THE SOLE PROPERTY OF FERROVAC GMBH. ANY REPRODUCTION IN PART OR AS WHOLE WITHOUT OUR PERMISSION IS PROHIBITED.</small>	UPGRADEMOT5 (+ENCIN4000)	A4 sheet 2/2
Rev.	B	