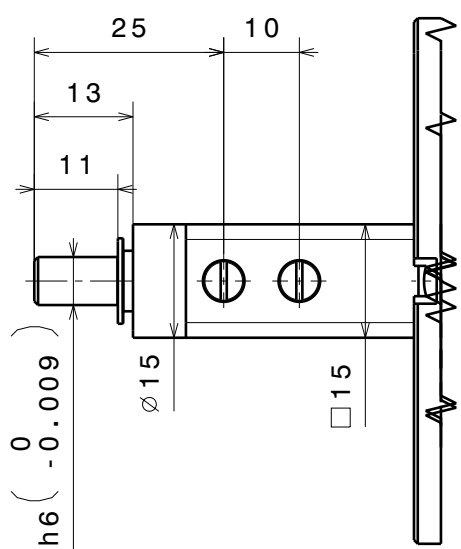


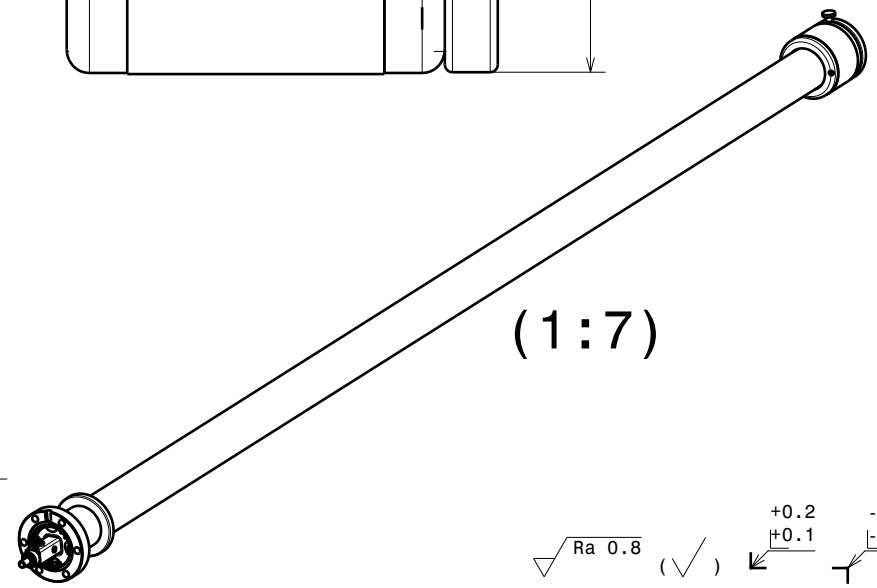
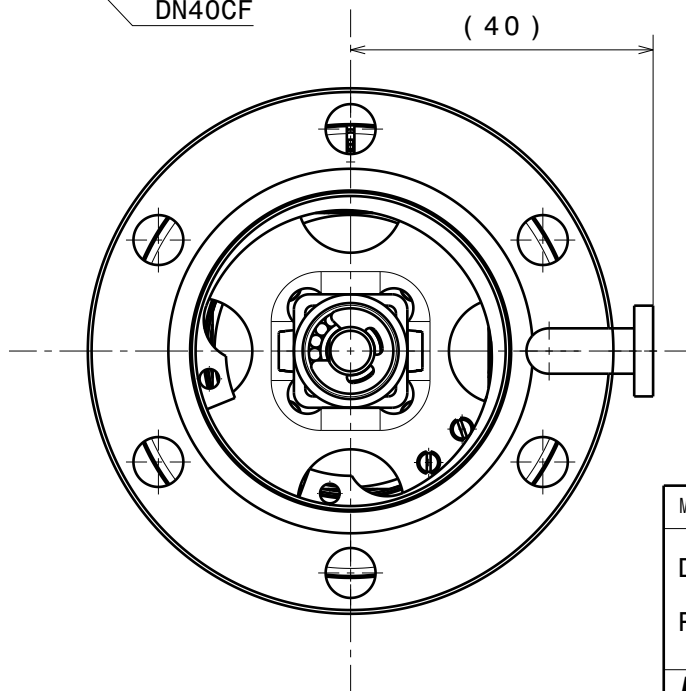
DN40CF

( 40 )

(1:7)



$\varnothing 6.35 h6 \left( \begin{matrix} 0 \\ -0.009 \end{matrix} \right)$



$\sqrt{\text{Ra } 0.8}$  (✓)   
  $\swarrow +0.2$    
 $\nwarrow +0.1$    
 $\searrow -0.1$    
 $\swarrow -0.2$

Material: all UHV compatible		nominal $\leq 30\text{mm}$	DIN ISO 2768-f-H
		dimensions $> 30\text{mm}$	DIN ISO 2768-m-K excluding Sym./Runout
Dual Shaft Sample Transporter		Sym./Runout $> 30\text{mm}$	DIN ISO 2768-H
RMJ40-1250-0050		formed part dimensions	DIN ISO 2768-f-H
Scale	1:1	Drawn	L.Jeromin
		Date	29.09.2022
		Changed	.....
<b>Ferrovac</b> CH-8050 Zurich		RMJ40-1250-0050	
Rev.	A	A4 sheet 1/1	

THE INFORMATION CONTAINED IN THIS DRAWING IS THE SOLE PROPERTY OF FERROVAC. ANY REPRODUCTION IN PART OR AS WHOLE WITHOUT OUR PERMISSION IS PROHIBITED.