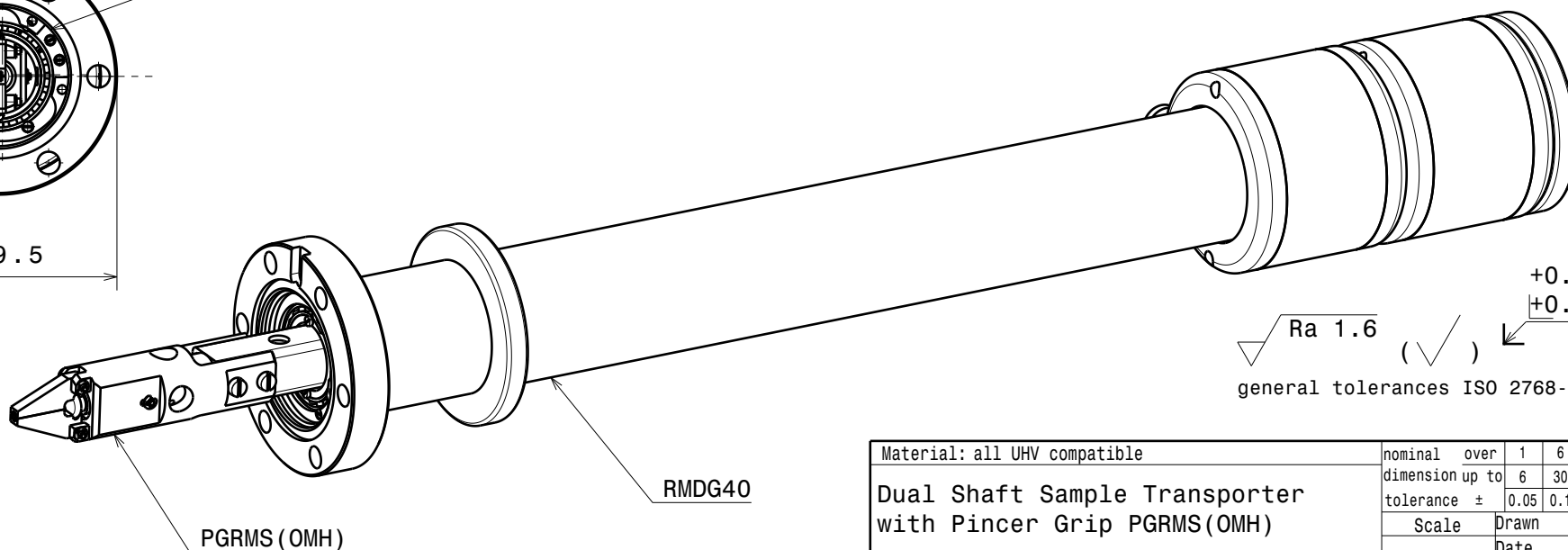
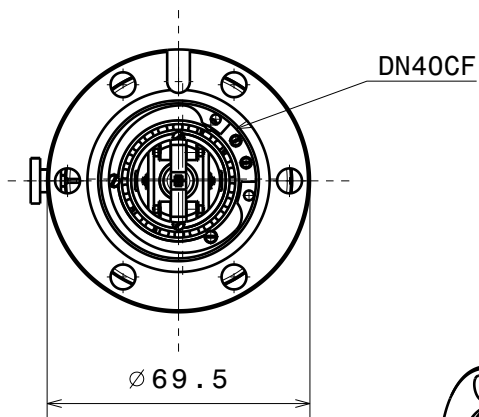
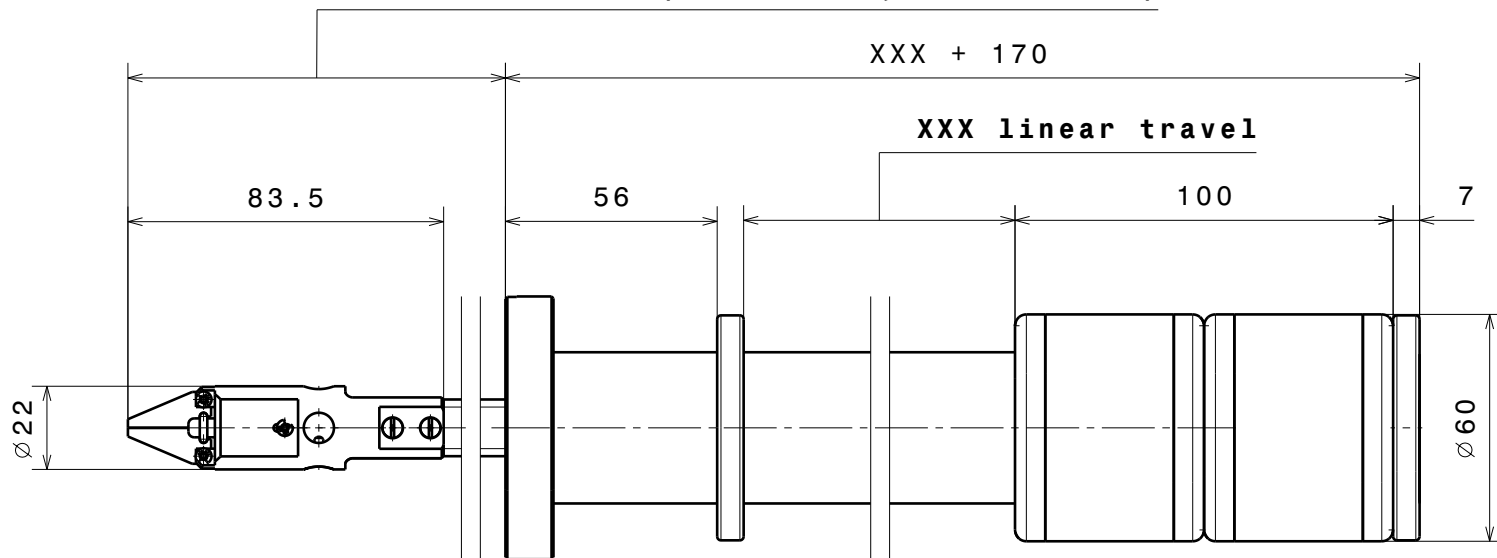


YYYY retracted (minimum 90, standard 95)



$\sqrt{\text{Ra 1.6}}$ (✓) \swarrow $\begin{matrix} +0.2 \\ +0.1 \end{matrix}$ \searrow $\begin{matrix} -0.1 \\ -0.2 \end{matrix}$
 general tolerances ISO 2768-K

Material: all UHV compatible	nominal	over	1	6	30	100	300	1000
Dual Shaft Sample Transporter with Pincer Grip PGRMS(OMH)	dimension up to		6	30	100	300	1000	2000
	tolerance \pm		0.05	0.1	0.3	0.5	0.8	1.2
RMDG40	Scale	Drawn	Denys Sutter					
Ferrovac GmbH CH-8050 Zurich	1:2	Date	09.06.2011					
	Rev. C	Checked	02.09.14 CW					
THE INFORMATION CONTAINED IN THIS DRAWING IS THE SOLE PROPERTY OF FERROVAC GMBH. ANY REPRODUCTION IN PART OR AS WHOLE WITHOUT OUR PERMISSION IS PROHIBITED.	RMDG40-PGRMS(OMH)		sheet 1/1					