

spacer 00 --> no spacer

number of units
first stack

number of units
second stack

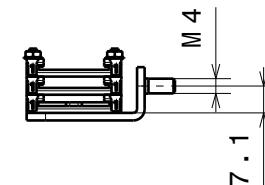
spacer 4 mm

additional options

Product: RECOMSTACK(04H00S02H04S)L
RECOMSTACK on straight adapter labeled

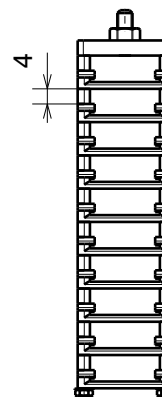
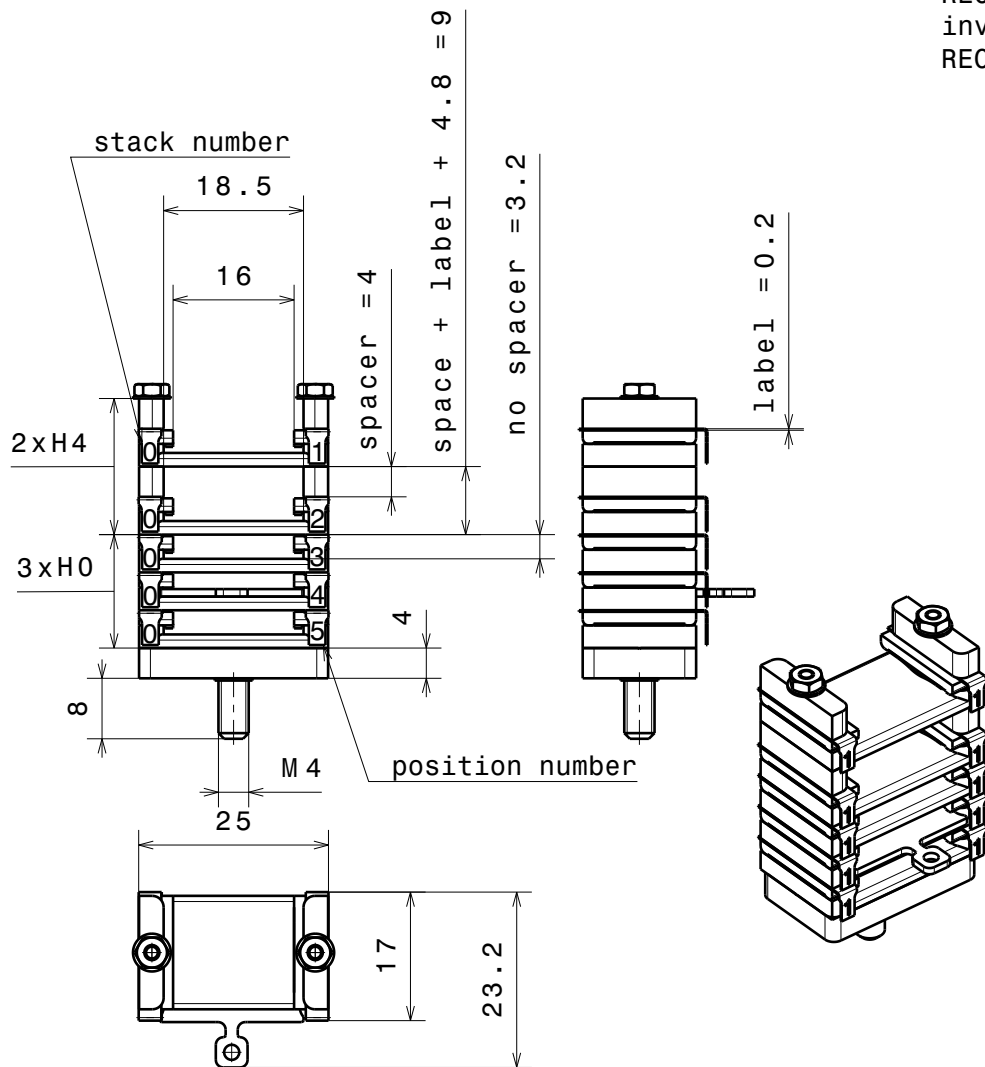
additional options:
L: labeled
H: inverse mounted

RECOMSTACK on orthogonal adapter labeled
RECOMSTACK0(03H00S)L

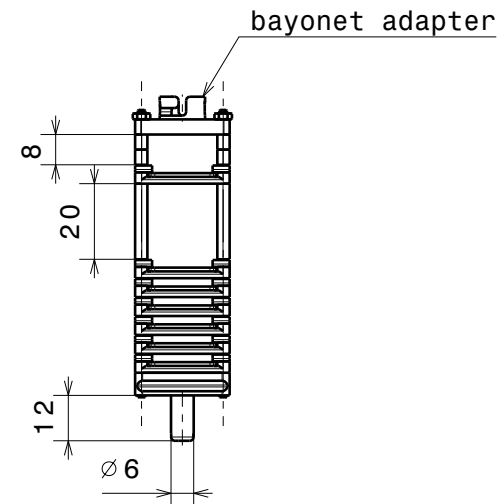


Example: RECOMSTACK(02H04S03H03S)L

RECOMSTACK on straight adapter
inverse mounted
RECOMSTACK(10H04S)H



RECOMSTACK on bayonet adapter labeled
RECOMSTACKT(05H00S01H20S01H10S)L



Material: fully UHV compatible materials	nominal	over	1	6	30	100	300	1000
Stack of receptacles for SHOM sample plates	dimension up to		6	30	100	300	1000	2000
	tolerance ±		0.05	0.1	0.3	0.5	0.8	1.2
RECOMSTACK	Scale	Drawn	Brunner					
Ferrovac GmbH CH-8050 Zurich	1:1	Date	10.06.2015					
		changed	09.11.17 CW					
THE INFORMATION CONTAINED IN THIS DRAWING IS THE SOLE PROPERTY OF FERROVAC GMBH. ANY REPRODUCTION IN PART OR AS WHOLE WITHOUT OUR PERMISSION IS PROHIBITED.	Rev. D	RECOMSTACK A3 sheet 1/1						