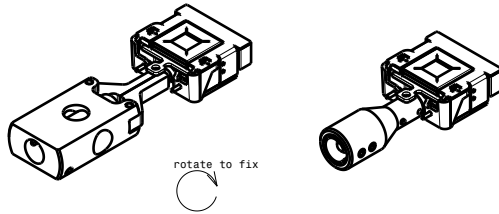
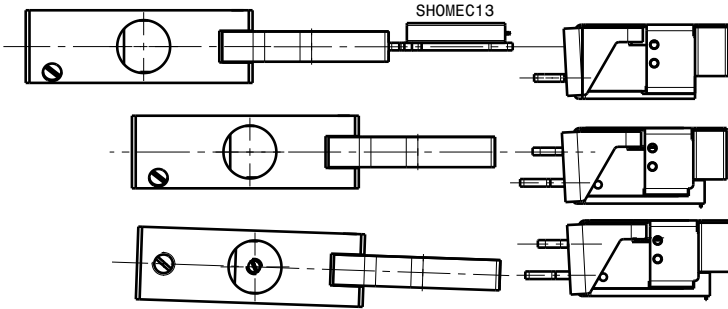
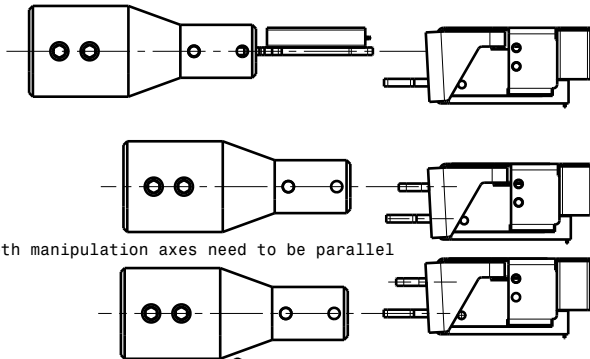


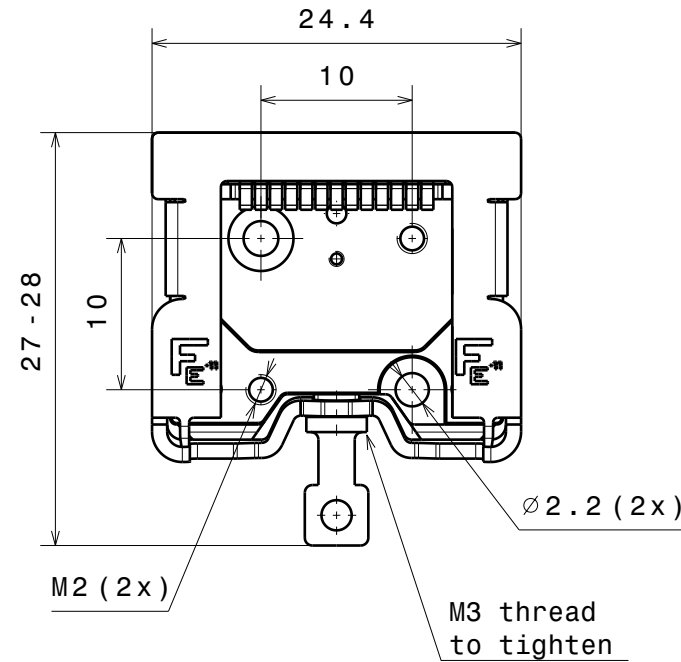
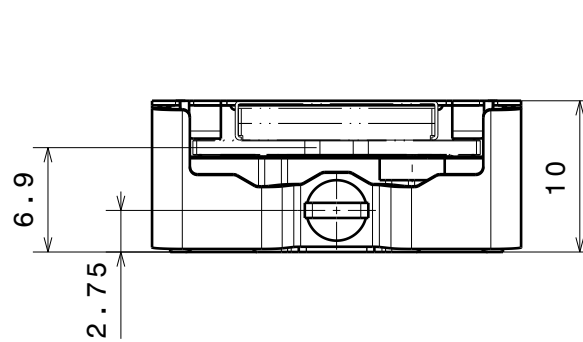
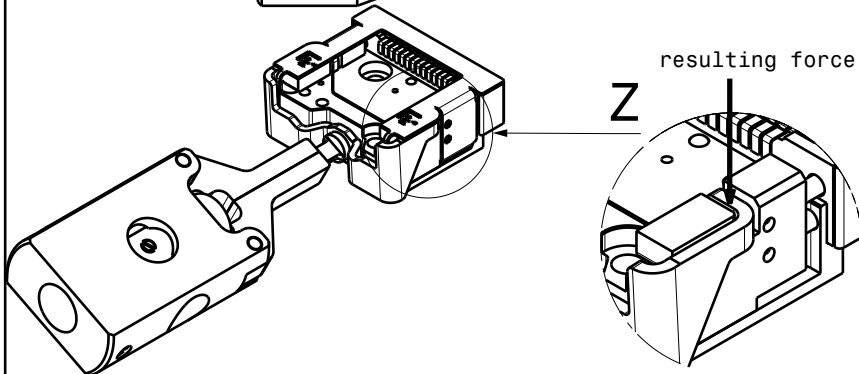
PGWMS



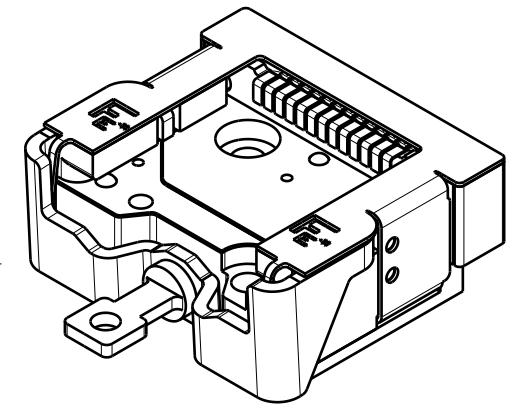
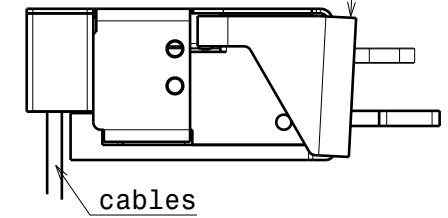
GRABSHOM



both manipulation axes need to be parallel



angle changes with tightening



Material: All UHV compatible

Cryo Sample Receiver with 13 electrical Contacts, mounting in arbitrary orientation

Ferrovac
CH-8050 Zurich

THE INFORMATION CONTAINED IN THIS DRAWING IS THE SOLE PROPERTY OF FERROVAC. ANY REPRODUCTION IN PART OR AS WHOLE WITHOUT OUR PERMISSION IS PROHIBITED.

nominal dimensions	≤30mm	DIN ISO 2768-f-H
	>30mm	DIN ISO 2768-m-K excluding Sym./Runout
Sym./Runout	>30mm	DIN ISO 2768-H
formed part dimensions		DIN ISO 2768-f-H

Scale	Drawn	M. Müller
	Date	26.01.2021
	Changed	02.12.22 CS

2:1	RECOMREC13V2
Rev. C	A4 sheet 1/1