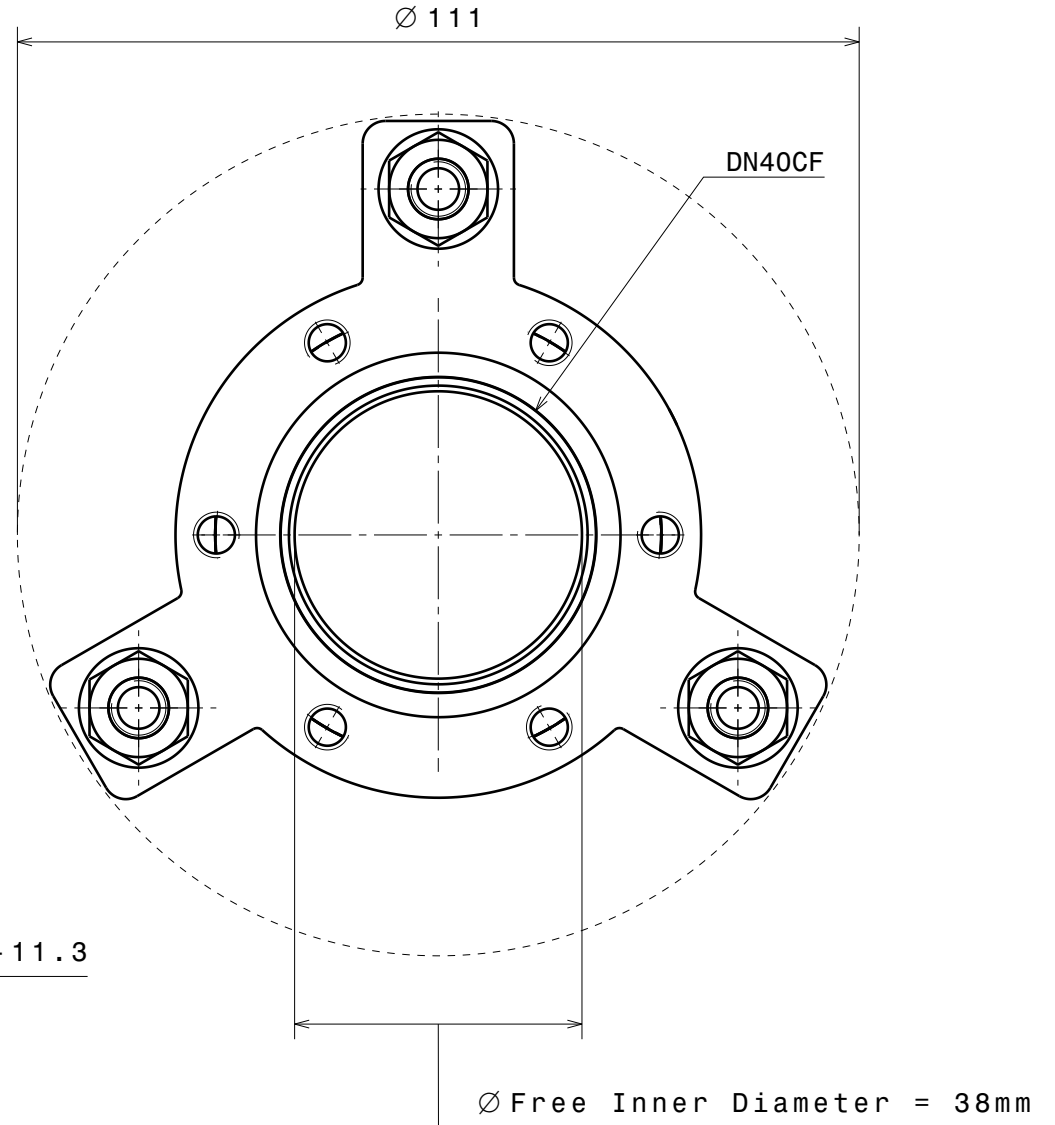
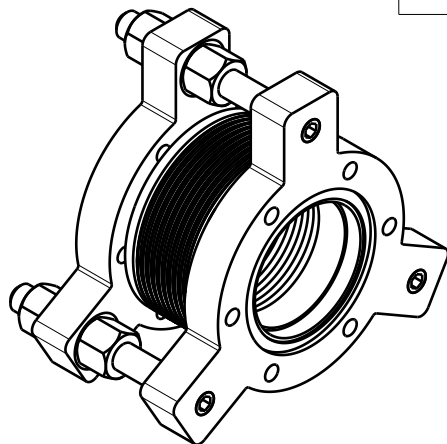


Insertion Length = 53mm +4/-11.3



Ø Free Inner Diameter = 38mm



(1:2)

Material: All UHV-compatible	nominal	over	1	6	30	100	300	1000
	dimension up to		6	30	100	300	1000	2000
Port aligner DN40CF both flanges Tapped M6	tolerance	±	0.05	0.1	0.3	0.5	0.8	1.2
	Scale	Drawn	Denys Sutter					
1:2	Date	07.03.2011						
	changes	13.1.14 UM						
Ferrovac GmbH CH-8050 Zurich			1:2			PA40EC		