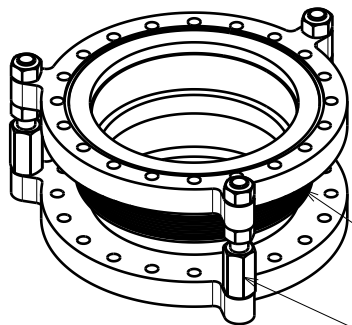
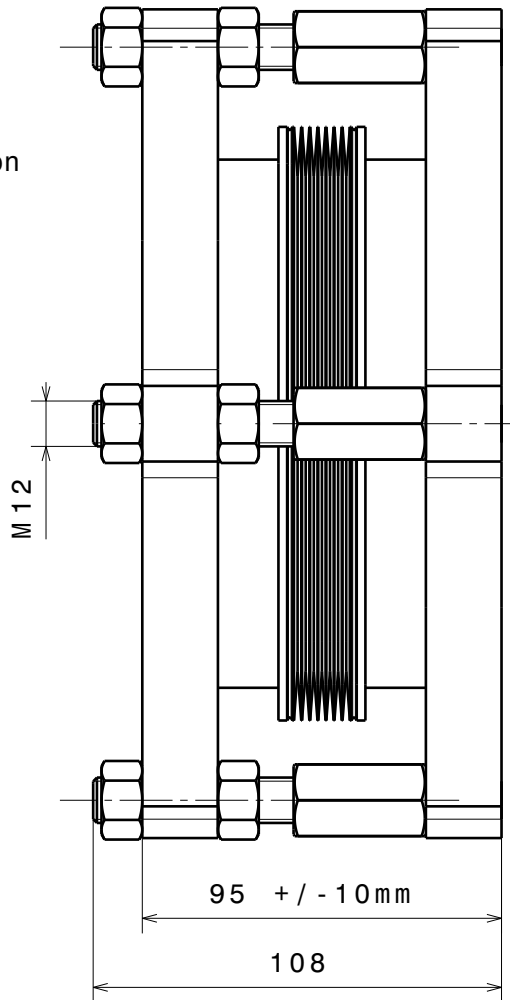
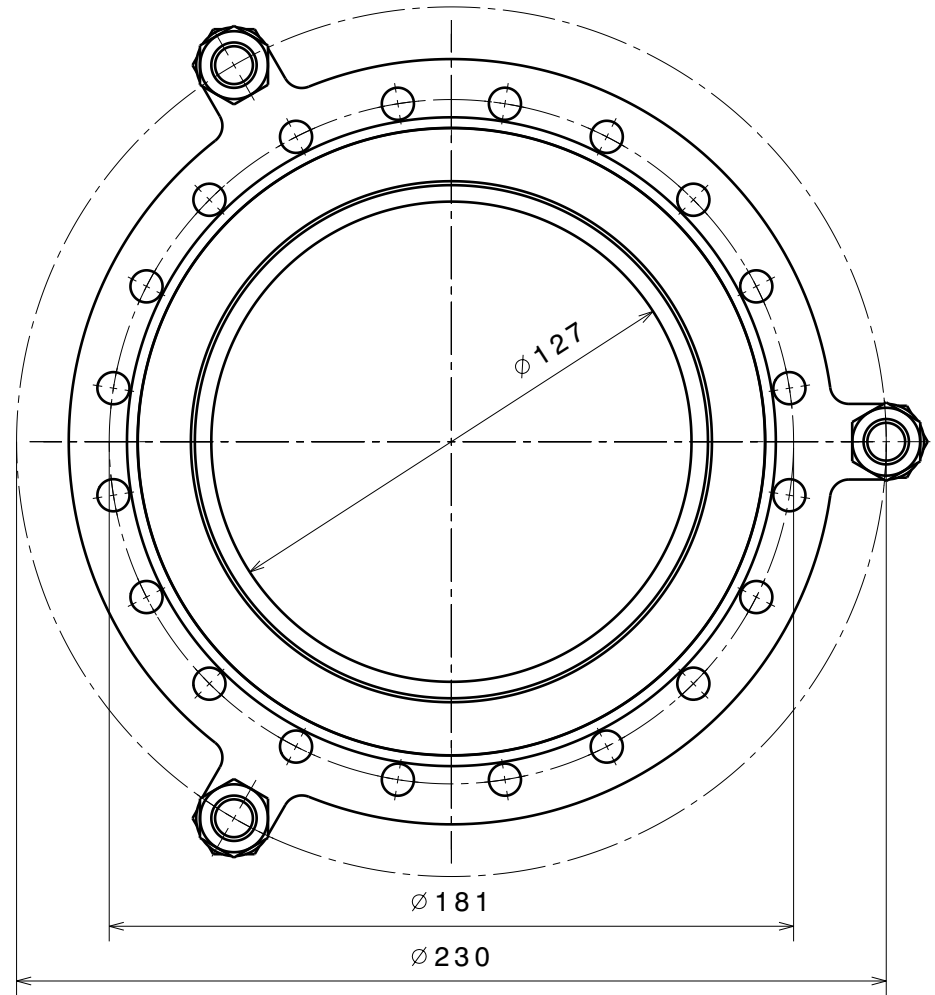


+/- 3° angular deflection



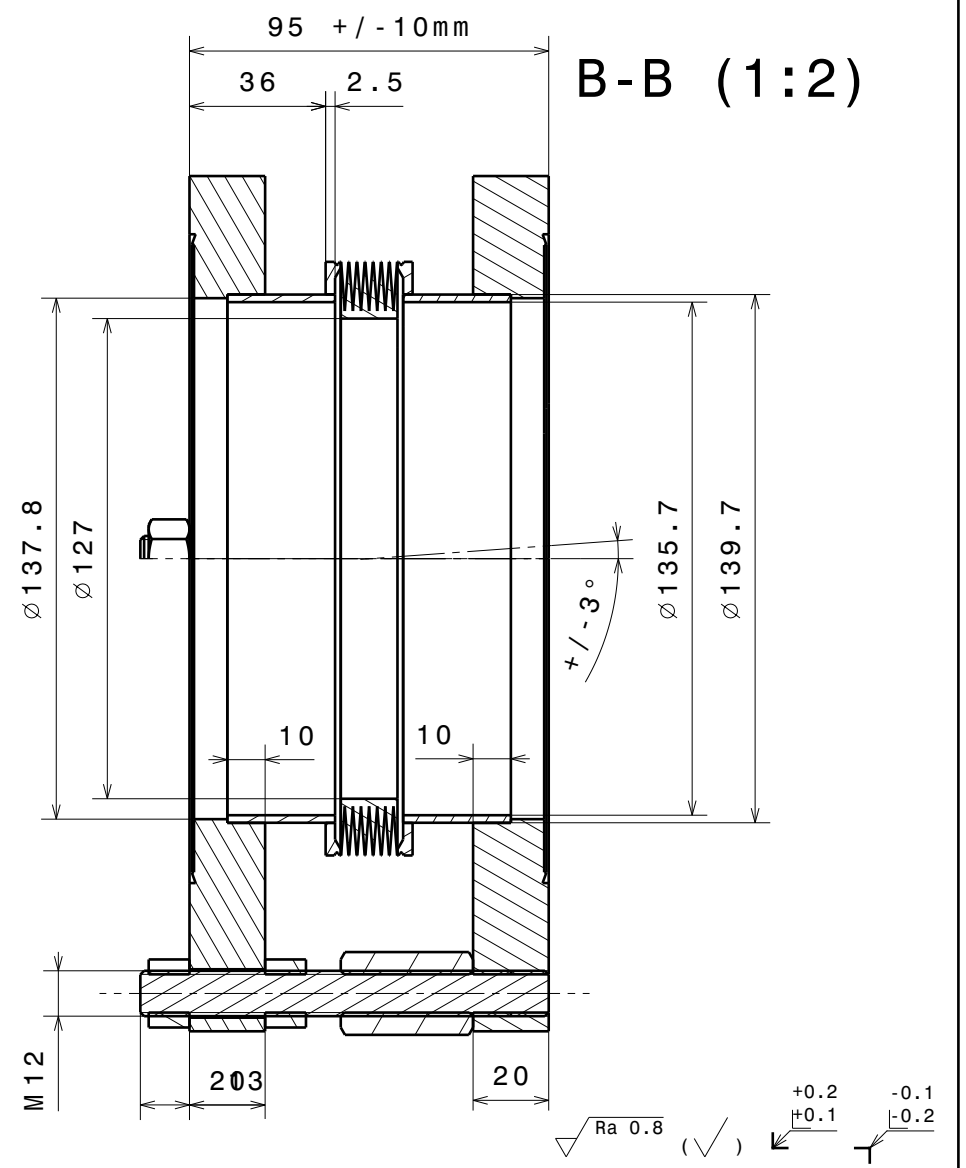
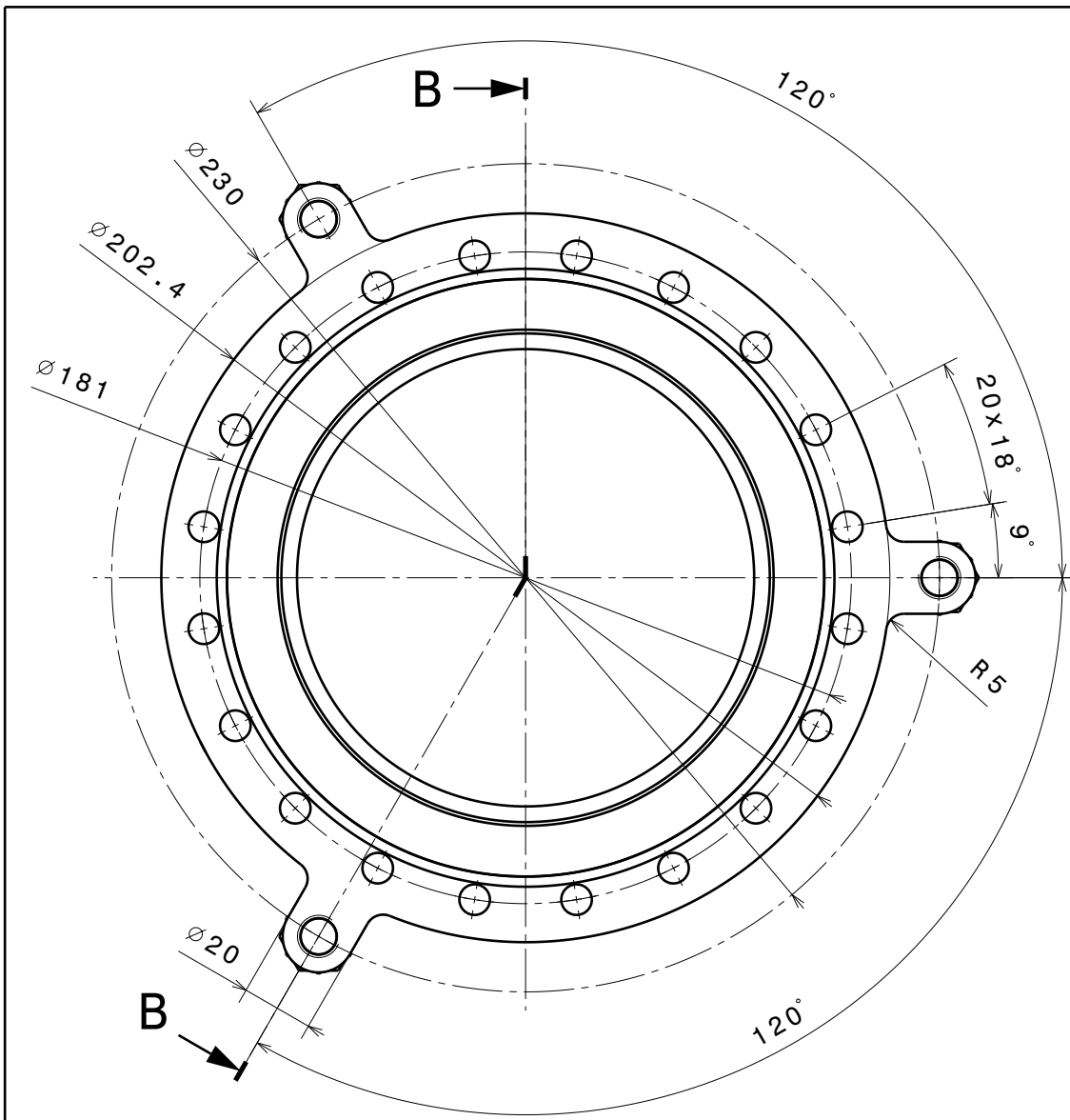
Bellows Unit DN160CF

3x Adjustment Bolts M12



$\sqrt{Ra\ 0.8}$ (✓)
 $\swarrow +0.2$
 $\nwarrow +0.1$
 $\searrow -0.1$
 $\swarrow -0.2$

Material: all UHV compatible	nominal ≤30mm	DIN ISO 2768-f-H
	dimensions >30mm	DIN ISO 2768-m-K excluding Sym./Runout
Port Aligner DN160CF	Sym./Runout >30mm	DIN ISO 2768-H
	formed part dimensions	DIN ISO 2768-f-H
PA	Scale	Drawn J.Buechi
	1:2 (1:5)	Date
Ferrovac GmbH CH-8050 Zurich		Changed
	THE INFORMATION CONTAINED IN THIS DRAWING IS THE SOLE PROPERTY OF FERROVAC GMBH. ANY REPRODUCTION IN PART OR AS WHOLE WITHOUT OUR PERMISSION IS PROHIBITED.	Rev.
		PA160E A4 sheet 1/2



Material: all UHV compatible		nominal $\leq 30 \text{ mm}$	DIN ISO 2768-f-H
		dimensions $> 30 \text{ mm}$	DIN ISO 2768-m-K excluding Sym./Runout
Port Aligner DN160CF		Sym./Runout $> 30 \text{ mm}$	DIN ISO 2768-H
PA		formed part dimensions	DIN ISO 2768-f-H
		Scale	Drawn J. Buechi
		Date	22.11.2018
		Changed	26.11.2018 JB
Ferrovac GmbH		1:2	PA160E
CH-8050 Zurich			
THE INFORMATION CONTAINED IN THIS DRAWING IS THE SOLE PROPERTY OF FERROVAC GMBH. ANY REPRODUCTION IN PART OR AS WHOLE WITHOUT OUR PERMISSION IS PROHIBITED.		Rev.	B
		A4 sheet 2/2	