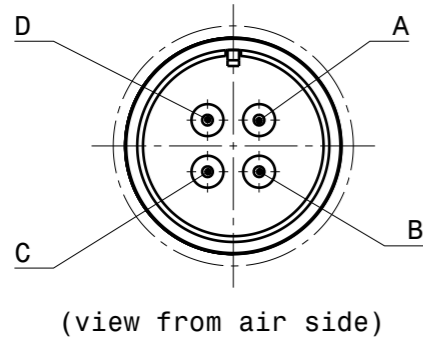
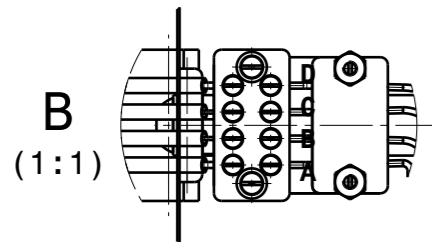


# Pinout

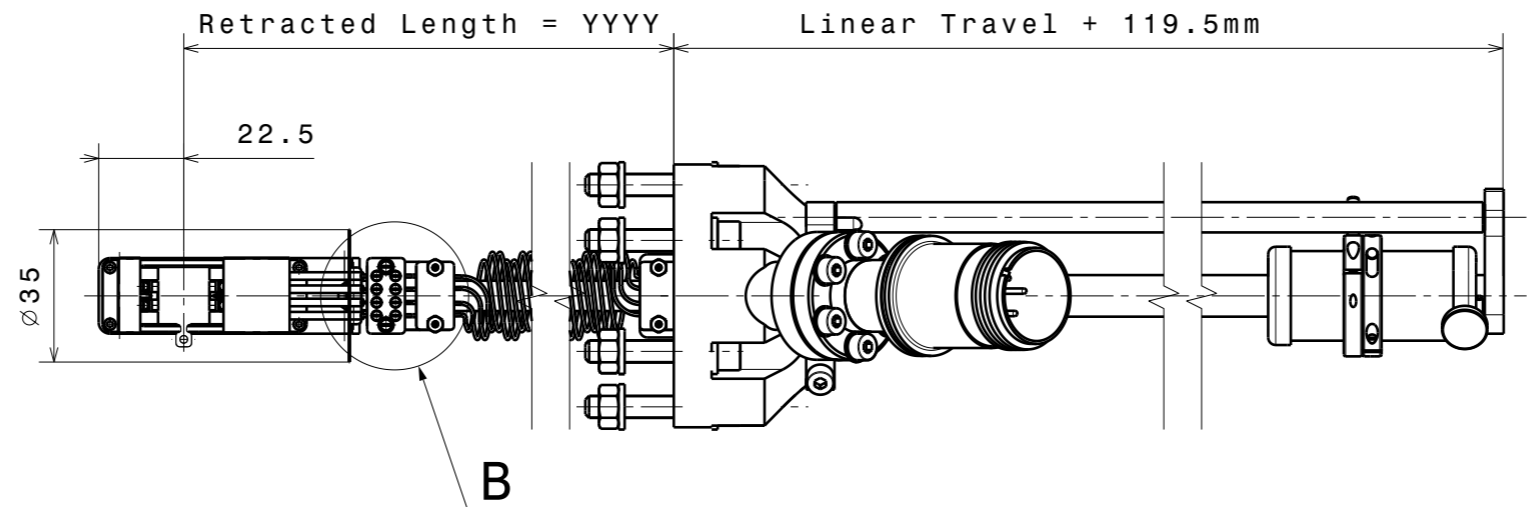
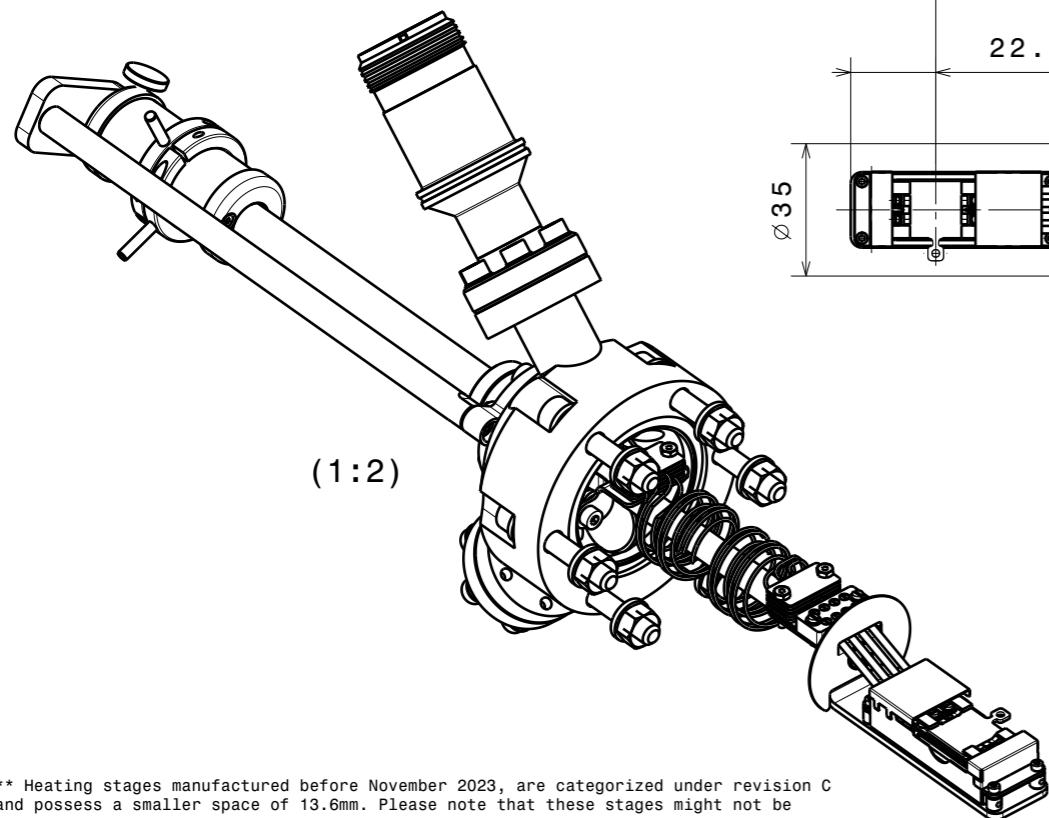
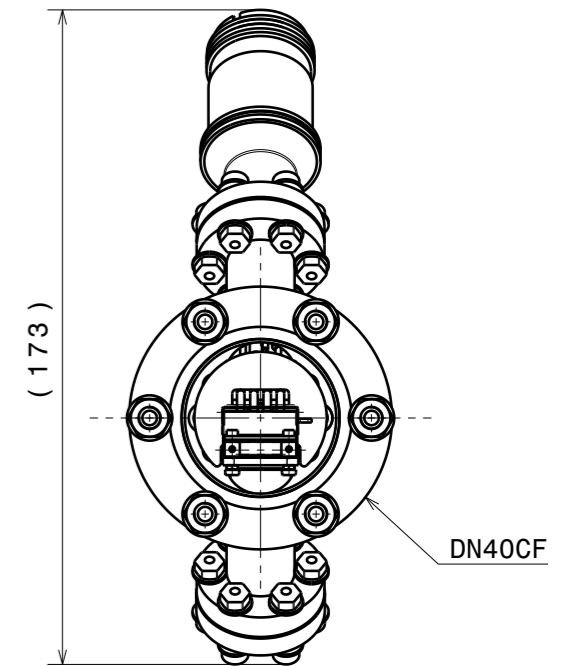
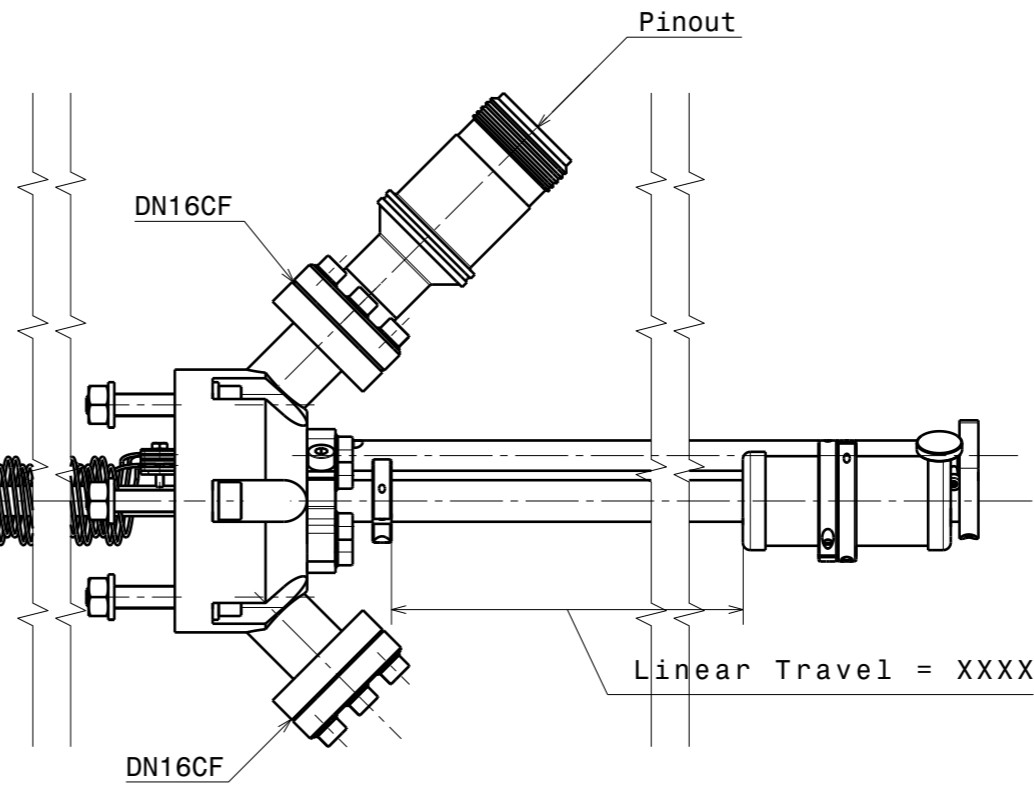
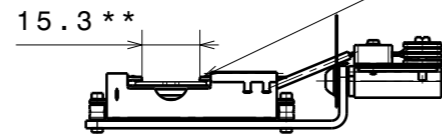


Terminal	Function
A	heater -
B	TC - (Ni-Al)
C	TC + (Ni-Cr)
D	heater +

in vacuum luster terminal



Option for sample receiver:  
1. electrically insulated (default)  
2. grounded to body



(sample plate not incl.)

Material: ....	nominal ≤30mm dimensions >30mm	DIN ISO 2768-f-H DIN ISO 2768-m-K excluding Sym./Runout
	Sym./Runout >30mm	DIN ISO 2768-H
PBN Heating Station for Flag Style Plates with Linear Travel	formed part dimensions	DIN ISO 2768-f-H
	Scale	Drawn J.Buechi
	1:2	Date 19.11.2020
	(1:1)	Changed 26.04.24 CS
<b>Ferrovac</b> CH-8050 Zurich	THE INFORMATION CONTAINED IN THIS DRAWING IS THE SOLE PROPERTY OF FERROVAC. ANY REPRODUCTION IN PART OR AS WHOLE WITHOUT OUR PERMISSION IS PROHIBITED.	HSASOM40 (PBNMD)
Rev. D		A3 sheet 1/1

\*\* Heating stages manufactured before November 2023, are categorized under revision C and possess a smaller space of 13.6mm. Please note that these stages might not be compatible with certain standard Ferrovac SHOM models (e.g., SHOM3T).