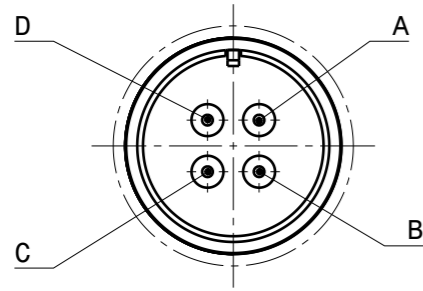
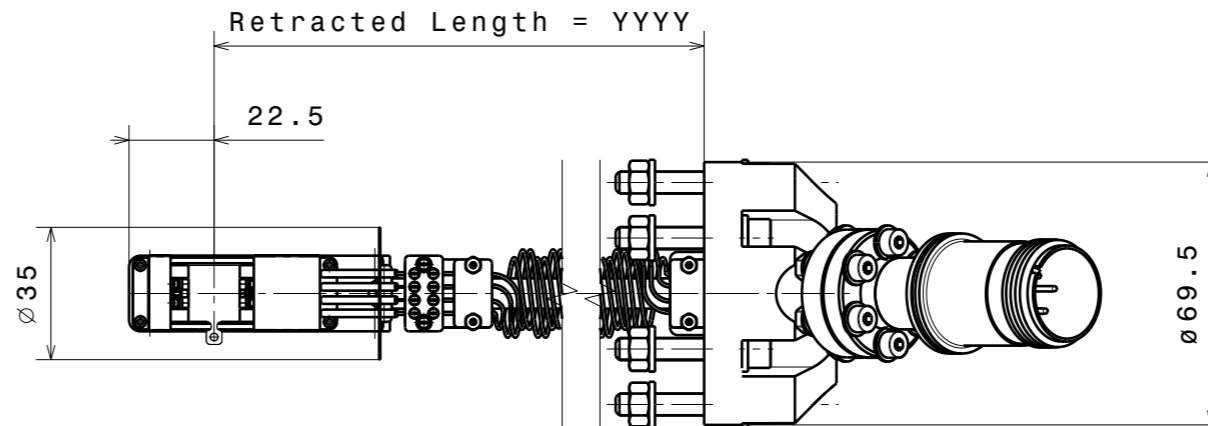
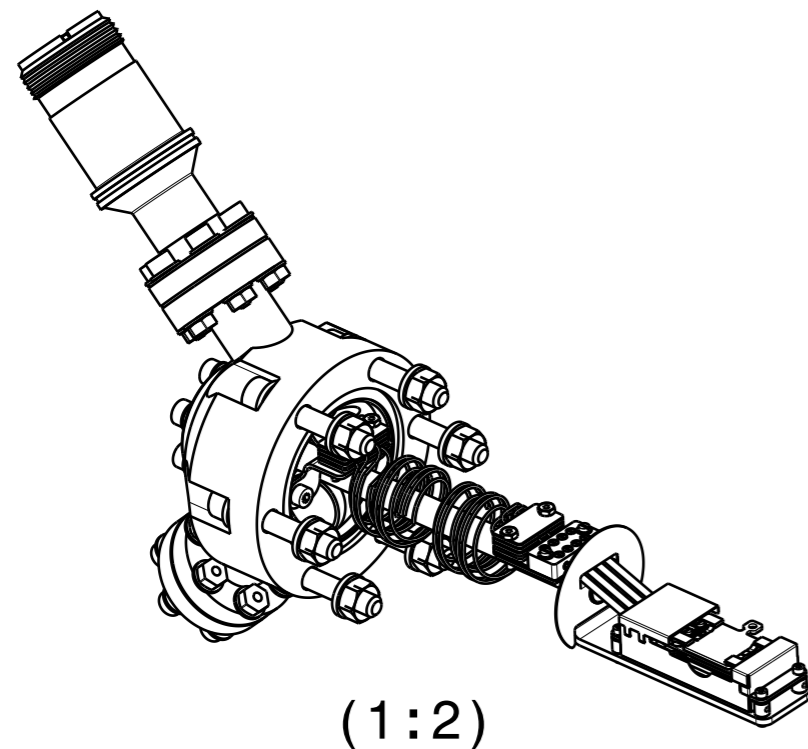
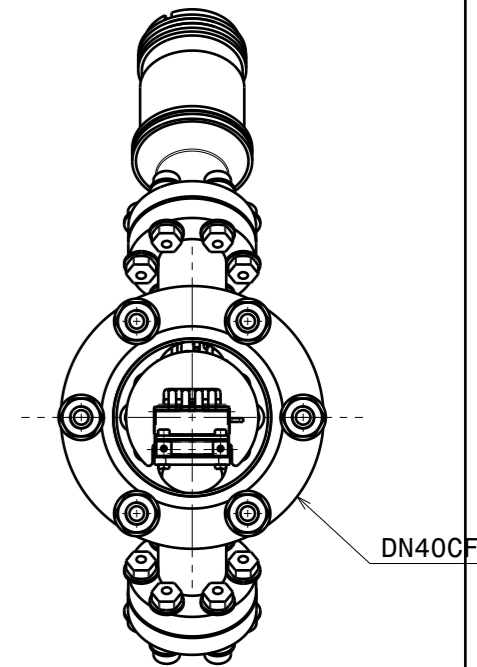
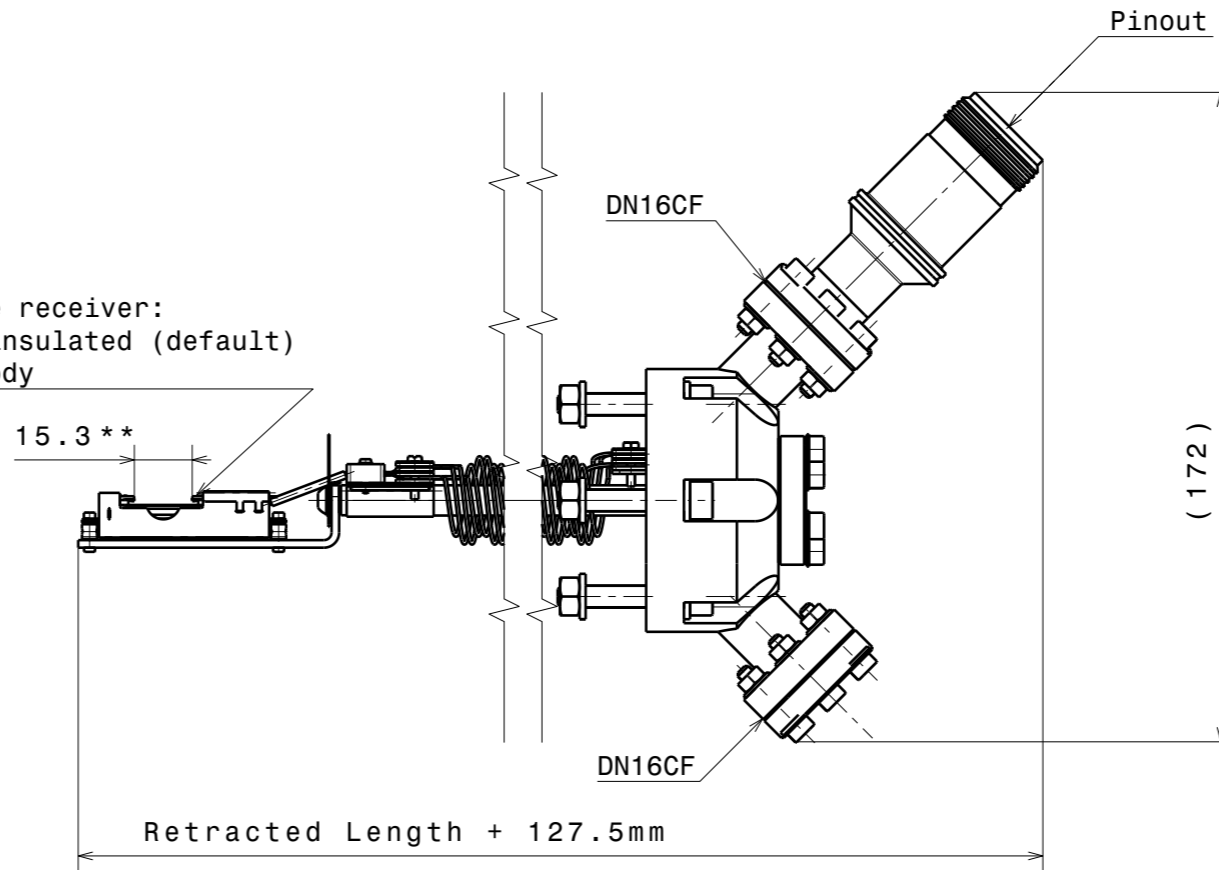


# Pinout



Terminal	Function
A	heater -
B	TC - (Ni-Al)
C	TC + (Ni-Cr)
D	heater +

Option for sample receiver:  
 1. electrically insulated (default)  
 2. grounded to body



(sample plate not incl.)

Material: ....	nominal <30mm	DIN ISO 2768-f-H
	dimensions >30mm	DIN ISO 2768-m-K excluding Sym./Runout
	Sym./Runout >30mm	DIN ISO 2768-H
PBN Heating Station for Flag Style Plates	formed part dimensions	DIN ISO 2768-f-H
	Scale	Drawn J.Buechi
<b>Ferrovac</b> CH-8050 Zurich	1:2	Date 05.05.2021
		Changed 26.04.24 CS
		HSASOM40 (PBN)
Rev. D		A3 sheet 1/1

\*\* Heating stages manufactured before November 2023, are categorized under revision C and possess a smaller space of 13.6mm. Please note that these stages might not be compatible with certain standard Ferrovac SHOM models (e.g., SHOM3T).

THE INFORMATION CONTAINED IN THIS DRAWING IS THE SOLE PROPERTY OF FERROVAC. ANY REPRODUCTION IN PART OR AS WHOLE WITHOUT OUR PERMISSION IS PROHIBITED.