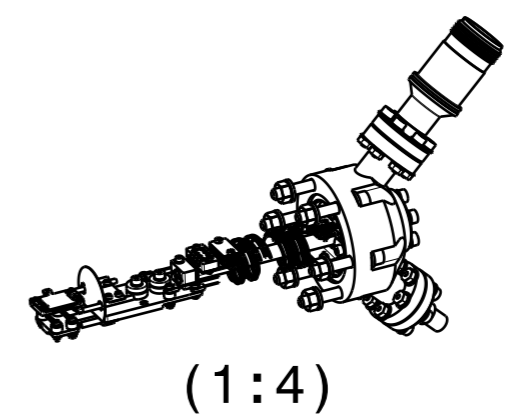


| Terminal | Function |
|----------|---------------------------|
| A | heater |
| B | if incl.: TC - (Ni-Al) |
| C | if incl.: TC + (Ni-Cr) |
| D | heater |



$\sqrt{\text{Ra 0.8}}$ (\checkmark) \swarrow $\begin{matrix} +0.2 \\ +0.1 \end{matrix}$ \searrow $\begin{matrix} -0.1 \\ -0.2 \end{matrix}$

| | | | |
|--|-----|-----------------------------|--|
| Material: | | nominal $\leq 30\text{mm}$ | DIN ISO 2768-f-H |
| | | dimensions $> 30\text{mm}$ | DIN ISO 2768-m-K excluding Sym./Runout |
| | | Sym./Runout $> 30\text{mm}$ | DIN ISO 2768-H |
| EB Heating Station for Flag Style Plates | | formed part dimensions | DIN ISO 2768-f-H |
| Scale | 1:2 | Drawn | J. Buechi |
| | | Date | 06.05.2021 |
| | | Changed | 29.07.21 CS |
| | | HSASOM40 (EB) | |
| Rev. | B | A3 sheet 1/1 | |

Ferrovac
CH-8050 Zurich

THE INFORMATION CONTAINED IN THIS DRAWING IS THE SOLE PROPERTY OF FERROVAC. ANY REPRODUCTION IN PART OR AS WHOLE WITHOUT OUR PERMISSION IS PROHIBITED.