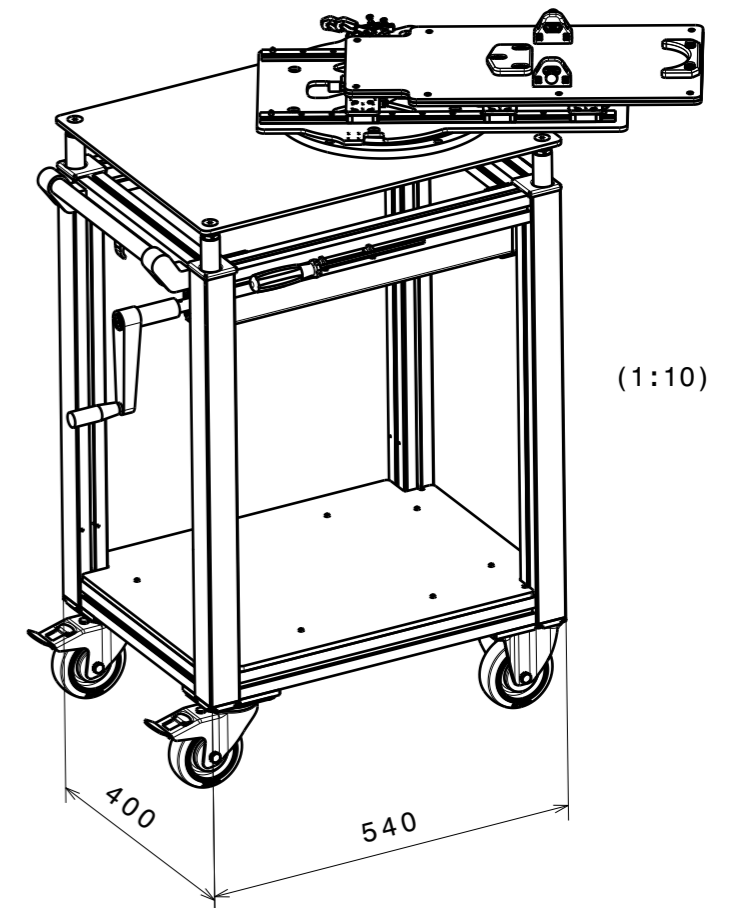
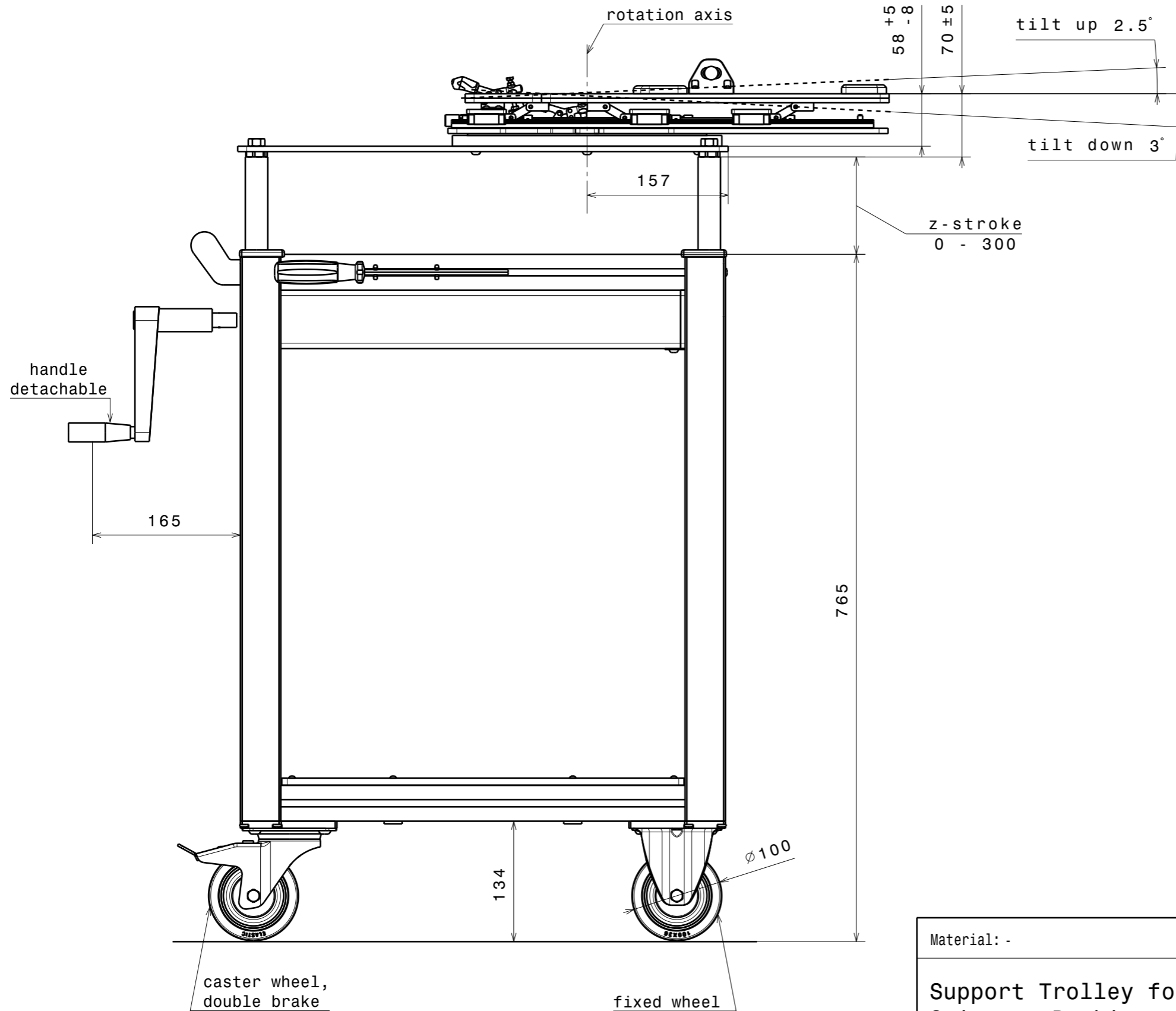
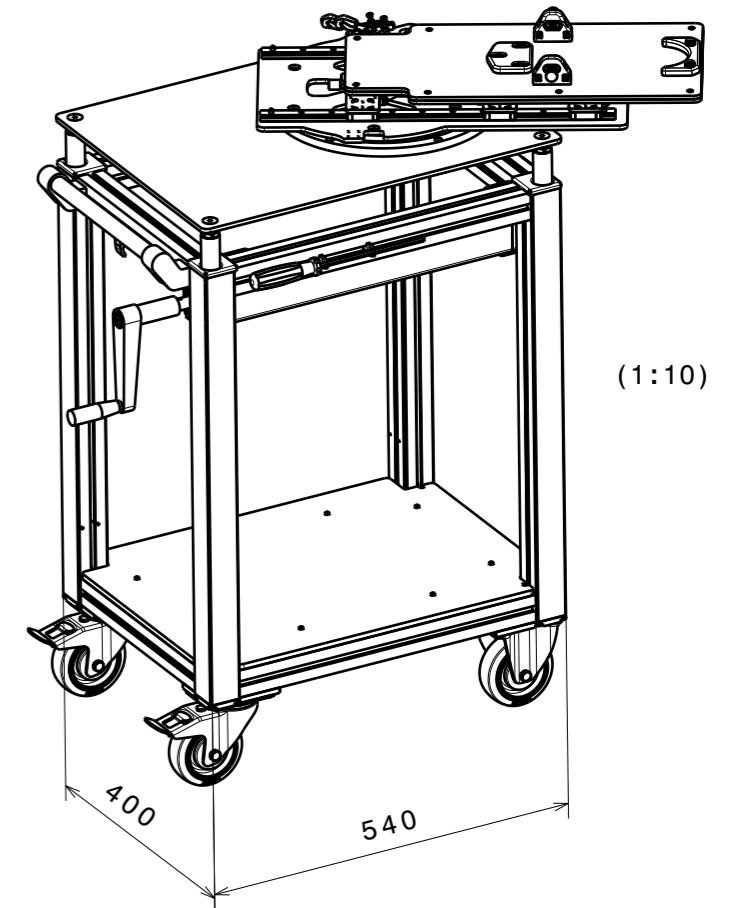
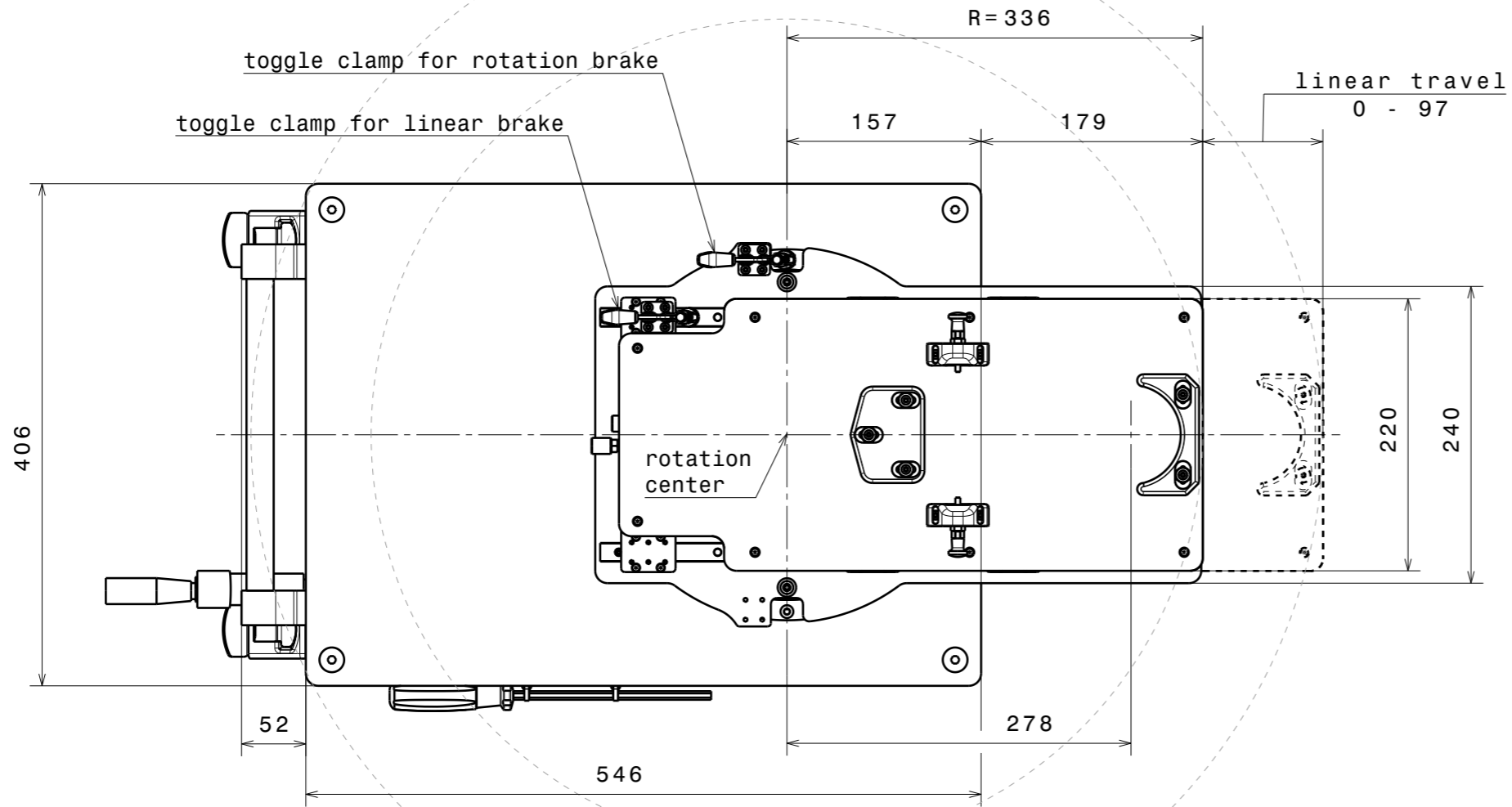


side view

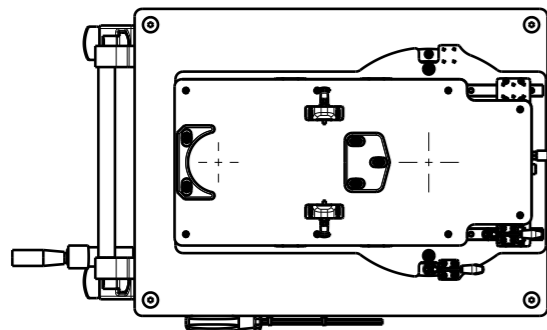


Material: -	nominal ≤30mm dimensions >30mm	DIN ISO 2768-f-H DIN ISO 2768-m-K excluding Sym./Runout	
Support Trolley for Universal Suitcase Docking FRMCARTZXRVS	Sym./Runout >30mm	DIN ISO 2768-H	
	formed part dimensions	DIN ISO 2768-f-H	
<b>Ferrovac</b> CH-8050 Zurich	Scale	Drawn C.Strässle	
	1:5 (1:10)	Date	01.12.2023
		Changed	12.02.25 STCY
THE INFORMATION CONTAINED IN THIS DRAWING IS THE SOLE PROPERTY OF FERROVAC. ANY REPRODUCTION IN PART OR AS WHOLE WITHOUT OUR PERMISSION IS PROHIBITED.	Rev. E	FRMCARTZXRVS A3 sheet 1/3	

top view

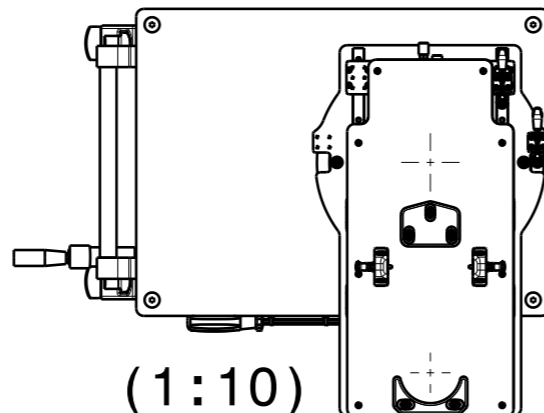


Tranpost Position



(1:10)

Docking Perpendicular



(1:10)

Material: -

Support Trolley for Universal Suitcase Docking

FRMCARTZXRVS

**Ferrovac**  
CH-8050 Zurich

THE INFORMATION CONTAINED IN THIS DRAWING IS THE SOLE PROPERTY OF FERROVAC. ANY REPRODUCTION IN PART OR AS WHOLE WITHOUT OUR PERMISSION IS PROHIBITED.

nominal dimensions <30mm	DIN ISO 2768-f-H
nominal dimensions >30mm	DIN ISO 2768-m-K excluding Sym./Runout
Sym./Runout >30mm	DIN ISO 2768-H

formed part dimensions	DIN ISO 2768-f-H
------------------------	------------------

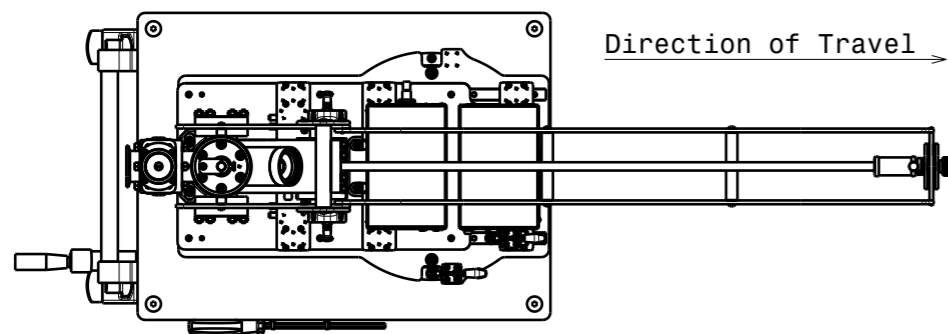
Scale	Drawn	C.Strässle
1:5 (1:10)	Date	01.12.2023
	Changed	12.02.25 STCY

Rev.	E	FRMCARTZXRVS
------	---	--------------

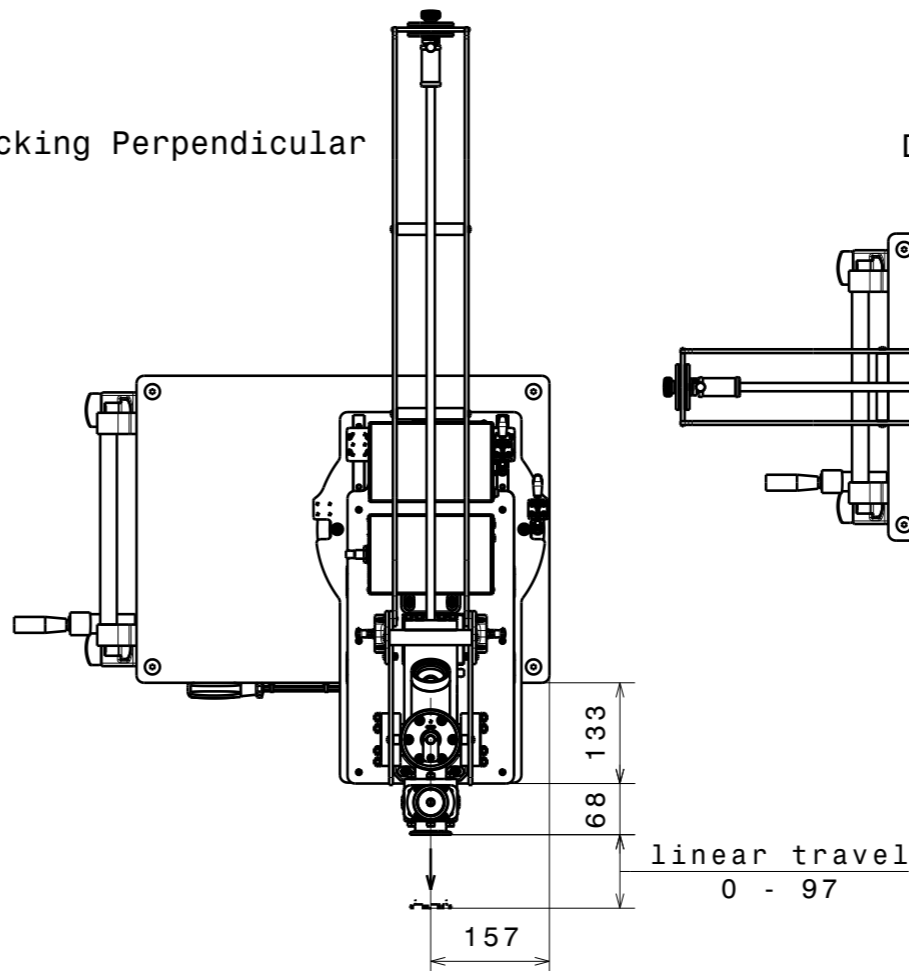
A3 sheet 2/3
--------------

application wit UHV suitcase VSN40S(VRV)

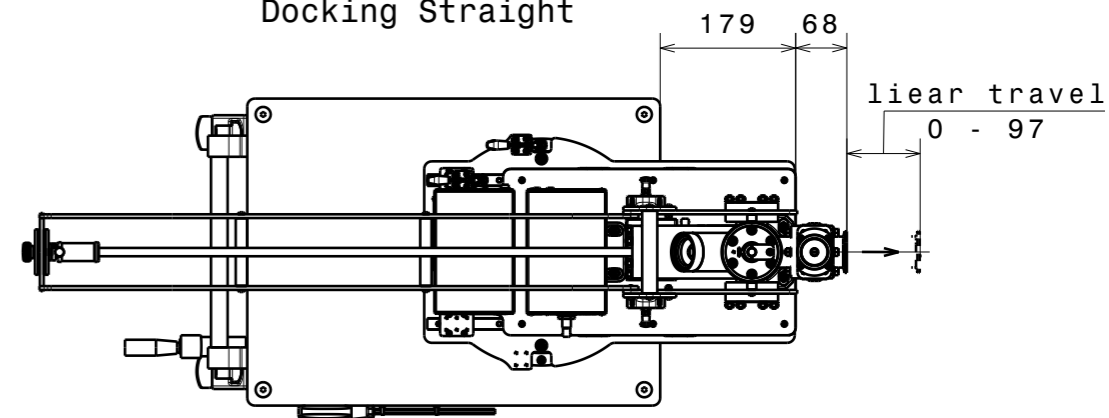
Transport Position



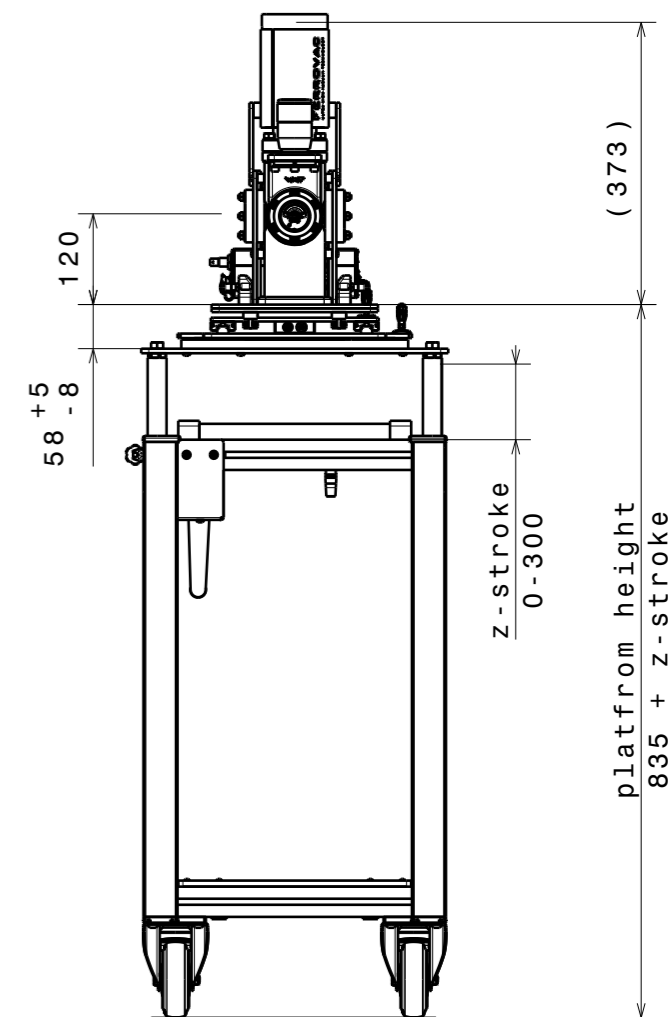
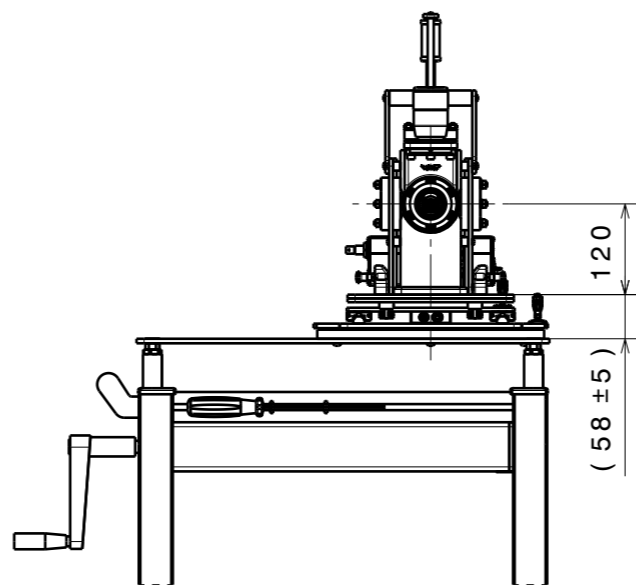
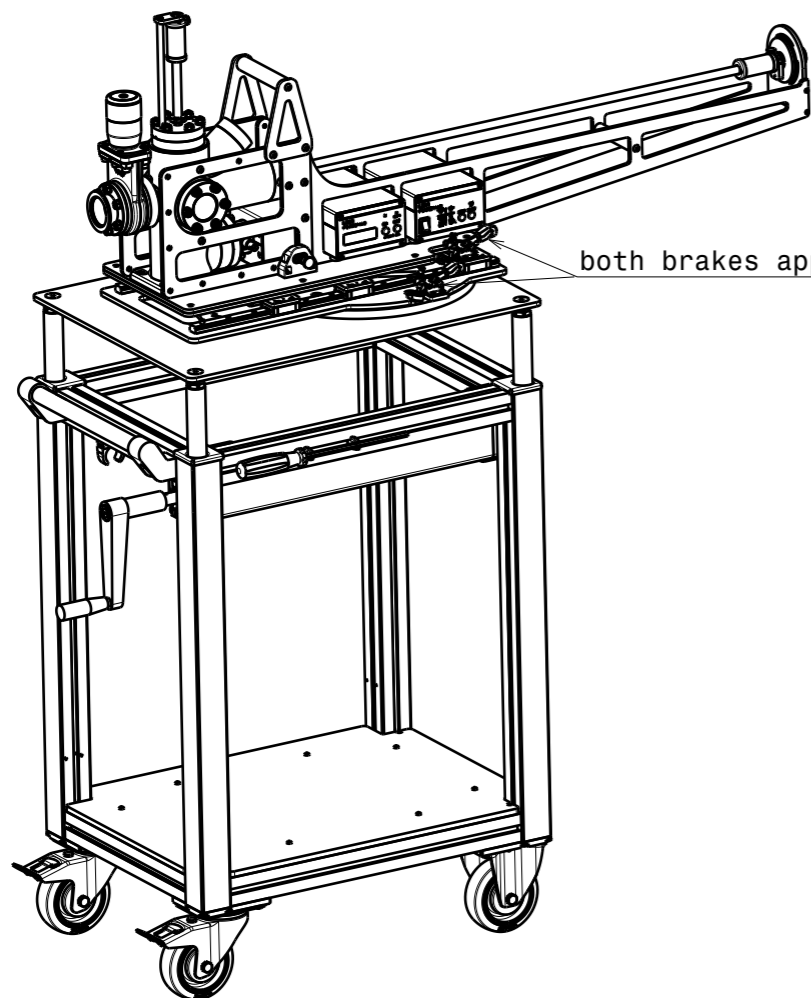
Docking Perpendicular



Docking Straight



both brakes applied



Material: -	nominal <30mm	DIN ISO 2768-f-H
	dimensions >30mm	DIN ISO 2768-m-K excluding Sym./Runout
	Sym./Runout >30mm	DIN ISO 2768-H
Support Trolley for Universal Suitcase Docking	formed part dimensions	DIN ISO 2768-f-H
FRMCARTZXRVS - VSN40S(VRV)	Scale	Drawn C.Strässle
		Date 01.12.2023
		Changed 12.02.25 STCY
<b>Ferrovac</b> CH-8050 Zurich	1:10	FRMCARTZXRVS
THE INFORMATION CONTAINED IN THIS DRAWING IS THE SOLE PROPERTY OF FERROVAC. ANY REPRODUCTION IN PART OR AS WHOLE WITHOUT OUR PERMISSION IS PROHIBITED.	Rev. E	A3 sheet 3/3