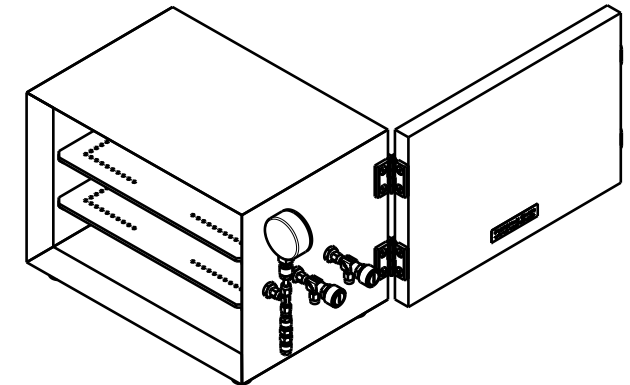


(1:10)



$\sqrt{Ra\ 0.8}$ (✓) \swarrow $\begin{matrix} (1:1.0) \\ +0.1 \\ -0.2 \end{matrix}$

Material: PMMA		nominal $\leq 30\text{mm}$	DIN ISO 2768-f-H
		dimensions $> 30\text{mm}$	DIN ISO 2768-m-K excluding Sym./Runout
Vacuum Exsiccator (Desiccator) with 3 slots		Sym./Runout $> 30\text{mm}$	DIN ISO 2768-H
EXSICA3S		formed part dimensions	DIN ISO 2768-f-H
Scale	1:5	Drawn	A.Zandonella
		Date	03.07.2013
		Changed	20.01.21 TV
Ferrovac GmbH CH-8050 Zurich		<small>THE INFORMATION CONTAINED IN THIS DRAWING IS THE SOLE PROPERTY OF FERROVAC GMBH. ANY REPRODUCTION IN PART OR AS WHOLE WITHOUT OUR PERMISSION IS PROHIBITED.</small>	
Rev.	D	EXSICA3S	
		A4 sheet 1/1	