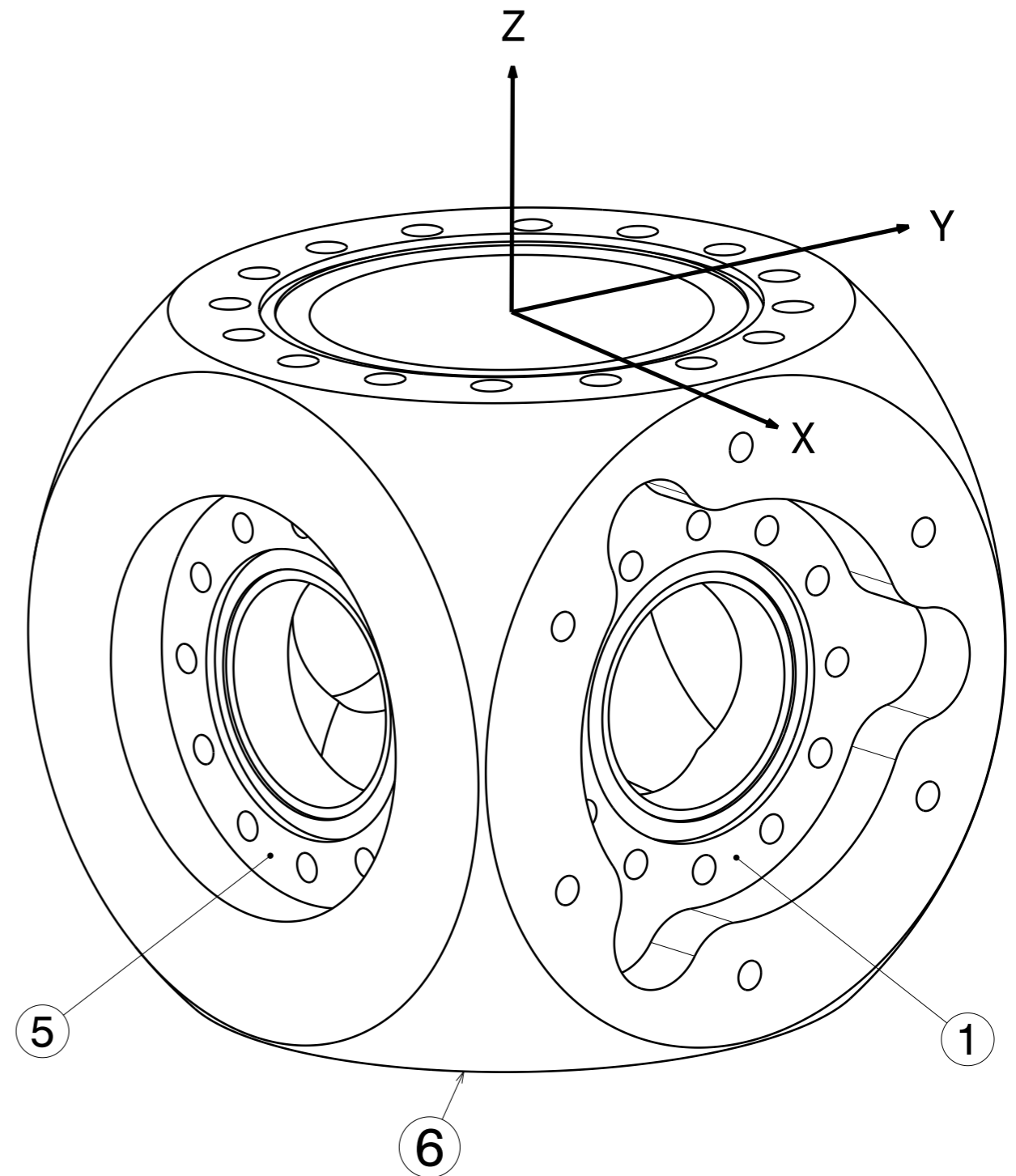
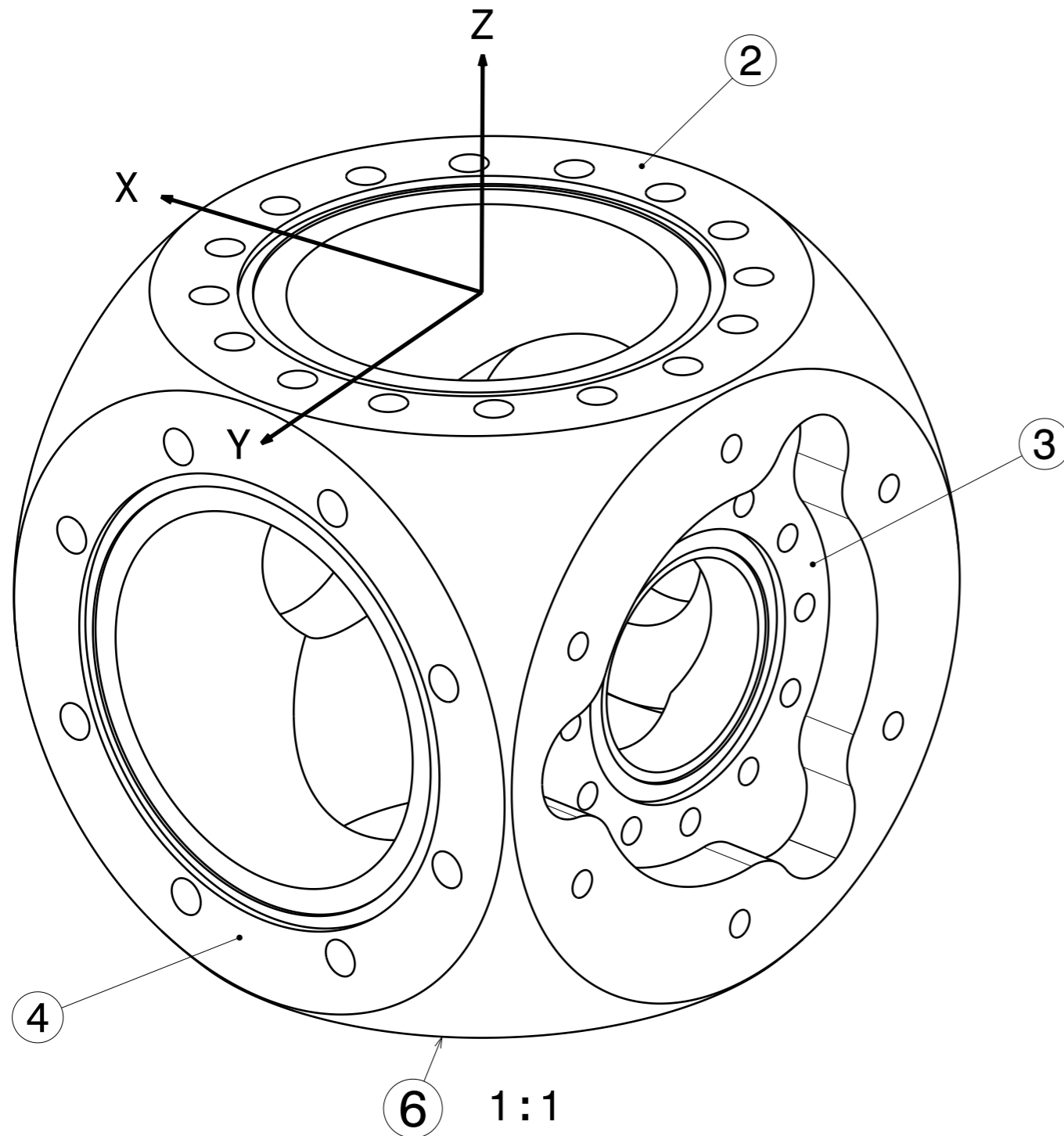


Material: gem. Bestellung	nominal dimensions <30mm	DIN ISO 2768-f-H
	dimensions >30mm	DIN ISO 2768-m-K excluding Sym./Runout
	Sym./Runout >30mm	DIN ISO 2768-H
Cube Shaped UHV Chamber Body	formed part dimensions	DIN ISO 2768-f-H
CB633XCF63T3XCF40T	Scale	Drawn Y.Hmina
	1:2	Date 14.02.2020
	(1:1)	Changed 23.11.2020 UM
Ferrovac GmbH	Rev. C	24108
CH-8050 Zurich		A3 sheet 2/3

THE INFORMATION CONTAINED IN THIS DRAWING IS THE SOLE PROPERTY OF FERROVAC GMBH. ANY REPRODUCTION IN PART OR AS WHOLE WITHOUT OUR PERMISSION IS PROHIBITED.



- 1: DN40CF - ID38mm - tapped M6
- 2: DN63CF - ID66mm - tapped M8
- 3: DN40CF - ID38mm - tapped M6
- 4: DN63CF - ID68mm - tapped M8
- 5: DN40CF - ID38mm - tapped M6
- 6: DN63CF - ID66mm - tapped M8

$\sqrt{\text{Ra } 0.8}$ (\checkmark) $\begin{matrix} +0.2 \\ +0.1 \end{matrix}$ $\begin{matrix} -0.1 \\ -0.2 \end{matrix}$

Material: gem. Bestellung	nominal $\leq 30\text{mm}$	DIN ISO 2768-f-H
	dimensions $> 30\text{mm}$	DIN ISO 2768-m-K excluding Sym./Runout
	Sym./Runout $> 30\text{mm}$	DIN ISO 2768-H
Cube Shaped UHV Chamber Body	formed part dimensions	DIN ISO 2768-f-H
CB633XCF63T3XCF40T	Scale	Drawn Y.Hmina
	1:2	Date 14.02.2020
	(1:1)	Changed 23.11.2020 UM
Ferrovac GmbH	Rev. C	24108
CH-8050 Zurich		A3 sheet 3/3

THE INFORMATION CONTAINED IN THIS DRAWING IS THE SOLE PROPERTY OF FERROVAC GMBH. ANY REPRODUCTION IN PART OR AS WHOLE WITHOUT OUR PERMISSION IS PROHIBITED.