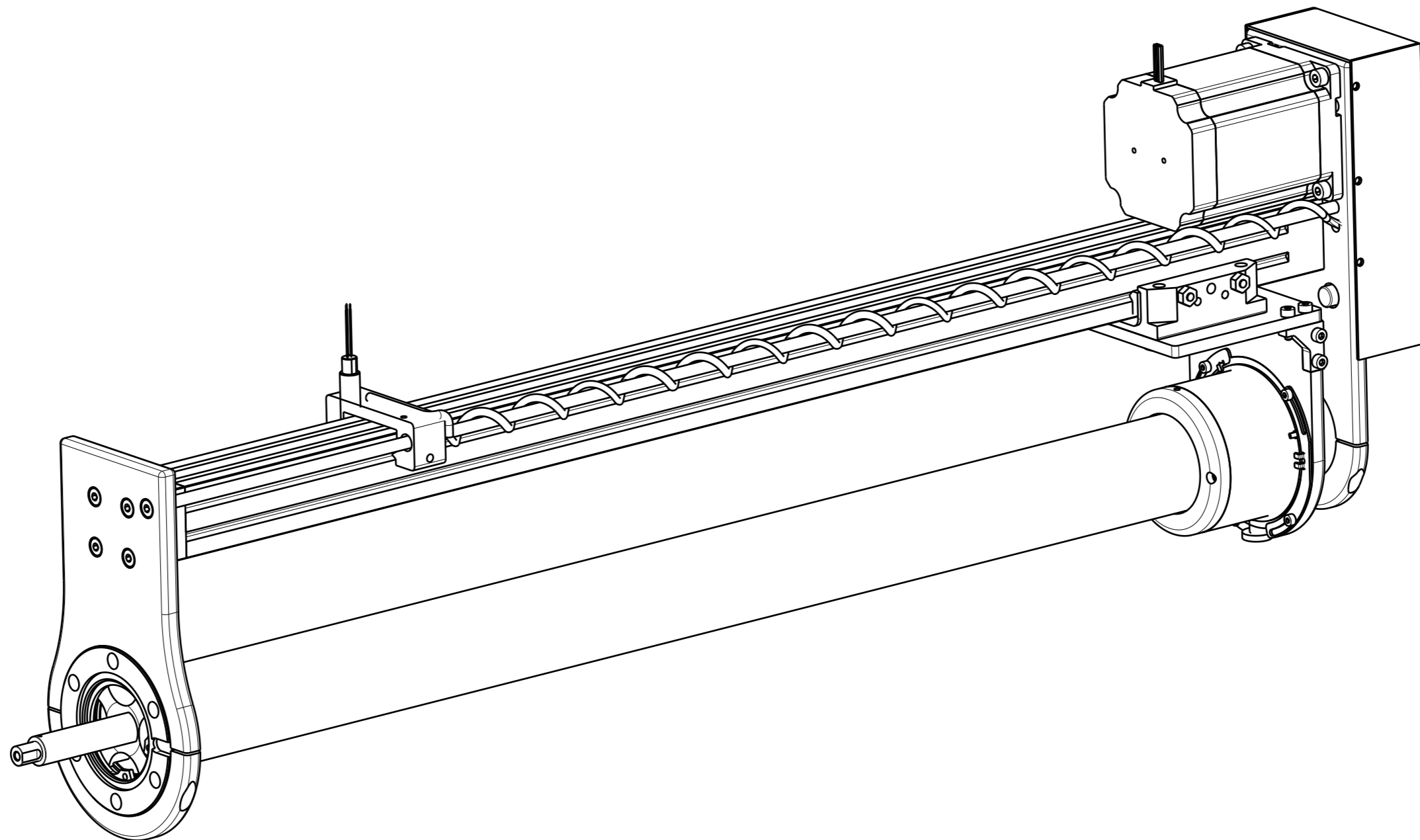
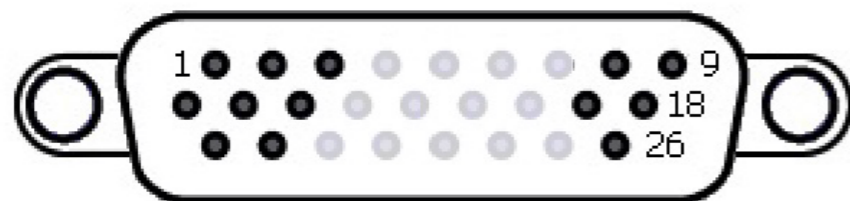


Material:	nominal dimension	over up to	1	6	30	100	300	1000
			6	30	100	300	1000	2000
	tolerance	±	0.05	0.1	0.3	0.5	0.8	1.2
1-axis motorized linear travel sample transporter	Scale	Drawn	C.Weiss					
RM40-XXX-YYY-DRVRMOTL		Date	09.03.2015					
	1:1	Changed					
Ferrovac GmbH			RM40-XXX-YYY-DRVRMOTL					
CH-8050 Zurich			A3 sheet 1/3					
	Rev.	A						

THE INFORMATION CONTAINED IN THIS DRAWING IS THE SOLE PROPERTY OF FERROVAC GMBH. ANY REPRODUCTION IN PART OR AS WHOLE WITHOUT OUR PERMISSION IS PROHIBITED.

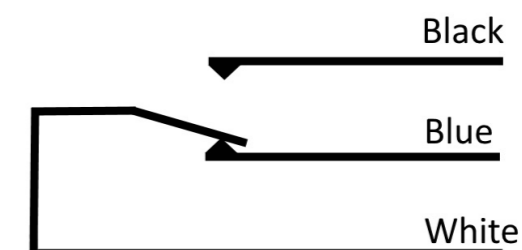


Material:	nominal dimension	over up to	1	6	30	100	300	1000
			6	30	100	300	1000	2000
	tolerance ±		0.05	0.1	0.3	0.5	0.8	1.2
1-axis motorized linear travel sample transporter RM40-XXX-YYY-DRVRMOTL	Scale	Drawn	C.Weiss					
		Date	09.03.2015					
		Changed					
Ferrovac GmbH CH-8050 Zurich	1:1		RM40-XXX-YYY-DRVRMOTL A3 sheet 2/3					
THE INFORMATION CONTAINED IN THIS DRAWING IS THE SOLE PROPERTY OF FERROVAC GMBH. ANY REPRODUCTION IN PART OR AS WHOLE WITHOUT OUR PERMISSION IS PROHIBITED.	Rev.	A						



D-Sub Pin	Function	
1	Motor	(A) BLK
2	Motor	BLK/WHT
3	Motor	BLU/WHT
4		
5		
6		
7		
8	Endswitch (Back)	1
9	Reed Endswitch (Front)	Blue
10	Motor	(A/) GRN
11	Motor	GRN/WHT
12	Motor	(B/) BLU
13		
14		
15		
16		
17	Endswitch (Back)	2
18	Reed Endswitch (Front)	White
19	Motor	(B) RED
20	Motor	RED/WHT
21		
22		
23		
24		
25		
26	Reed Endswitch (Front)	Black

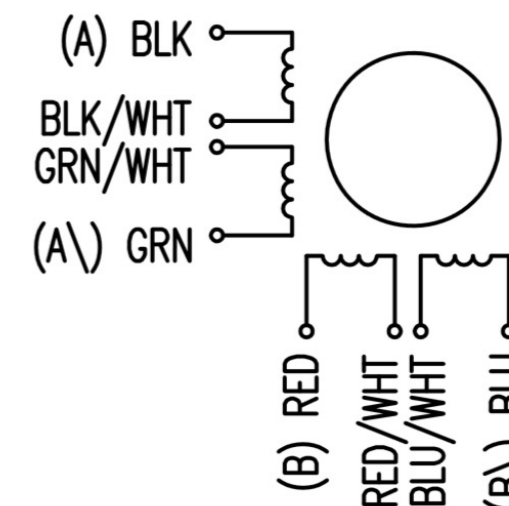
Reed Endswitch (Front)



Endswitch (Back)



Motor Schematic



Material:	nominal dimension	over up to	1	6	30	100	300	1000
motorized Linear Drive RMD	tolerance	±	0.05	0.1	0.3	0.5	0.8	1.2
DRVRMOTL	Scale	1:2	Drawn	Claudio Weiss				
	Date	13.01.2015	Changed	09.03.2015				
Ferrovac GmbH CH-8050 Zurich	THE INFORMATION CONTAINED IN THIS DRAWING IS THE SOLE PROPERTY OF FERROVAC GMBH. ANY REPRODUCTION IN PART OR AS WHOLE WITHOUT OUR PERMISSION IS PROHIBITED.	Rev.	B	DRVRMOTL - XXXX A3 sheet3/3				