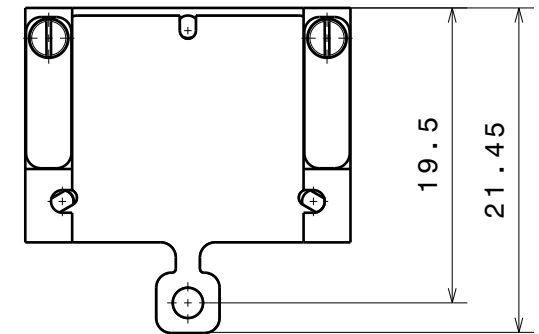
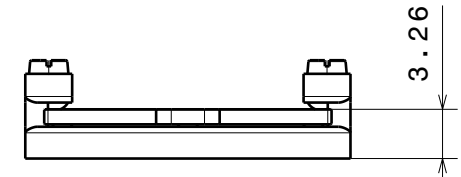
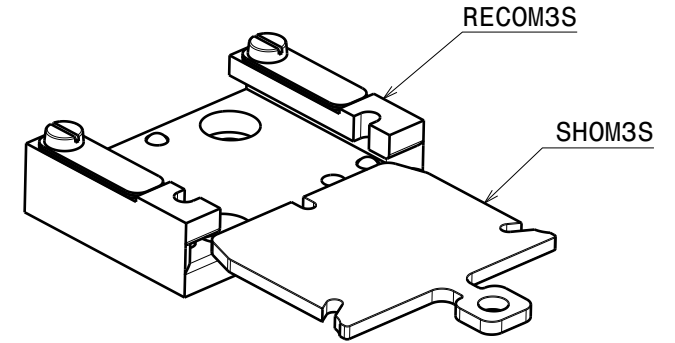


Application Example
(flag style sample plate not incl.)



Material:	nominal ≤30mm dimensions >30mm	DIN ISO 2768-f-H DIN ISO 2768-m-K excluding Sym./Runout
Three-Point Drawer Style Receivers for Flag Style Plates RECOM3S	Sym./Runout >30mm	DIN ISO 2768-H
	formed part dimensions	DIN ISO 2768-f-H
Scale	Drawn	D.Sutter
	Date	02.04.2014
2:1	Changed	05.05.2021 CW
	RECOM3S	
Rev. A	A4 sheet 1/1	

Ferrovac GmbH
CH-8050 Zurich

THE INFORMATION CONTAINED IN THIS
DRAWING IS THE SOLE PROPERTY OF
FERROVAC GMBH. ANY REPRODUCTION
IN PART OR AS WHOLE WITHOUT OUR
PERMISSION IS PROHIBITED.