

EV40FC :: RELOADED

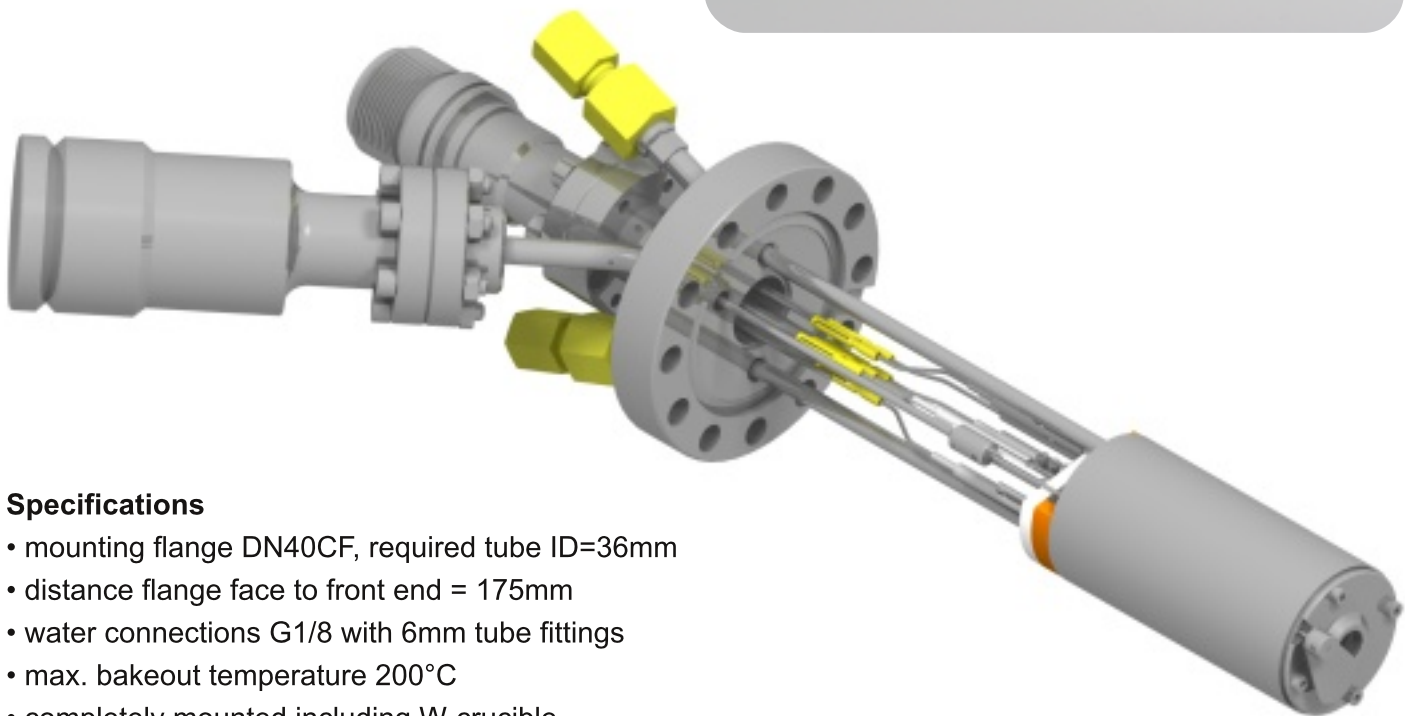
Evaporation Source for Thin Film Deposition

A rugged, versatile evaporator for a wide range of materials such as Ag, Au, Al, Ni, Co, Fe and many more.

The evaporant is either placed into a tungsten crucible or the material can be directly evaporated from a rod. A removeable front lid allows easy access to the crucible which can be pulled out for replacement by releasing one single screw. The filling volume of the crucible is up to 500mm³. The water cooled housing ensures ultra-clean film growth at base pressures in the lower 10E⁻¹⁰ mbar range. The EV40 is equipped with a manually actuated shutter.

Recent Improvements

- MS-Type 12kV HV-feedthrough
- 6m cable assembly with MS-Type-, SHV-coaxial- and 3x4mm safety laboratory plugs
- serco brass fittings for 6mm tube
- all vacuum side electrical connections with push-pull crimp contacts



Specifications

- mounting flange DN40CF, required tube ID=36mm
- distance flange face to front end = 175mm
- water connections G1/8 with 6mm tube fittings
- max. bakeout temperature 200°C
- completely mounted including W-crucible
- incl. rotary and electrical feedthrough
- incl. 6m cable assembly
- HV supply DC 0-1000V pos. 200mA (not included)
- low voltage supply DC 0-24V 0-5A (not included)

FERROVAC GMBH

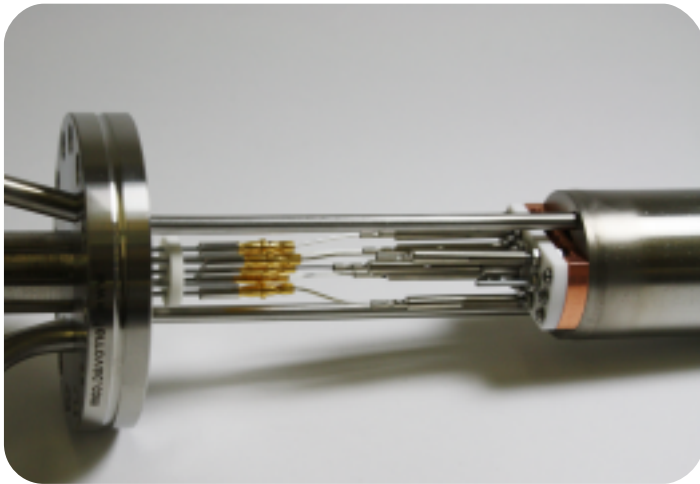
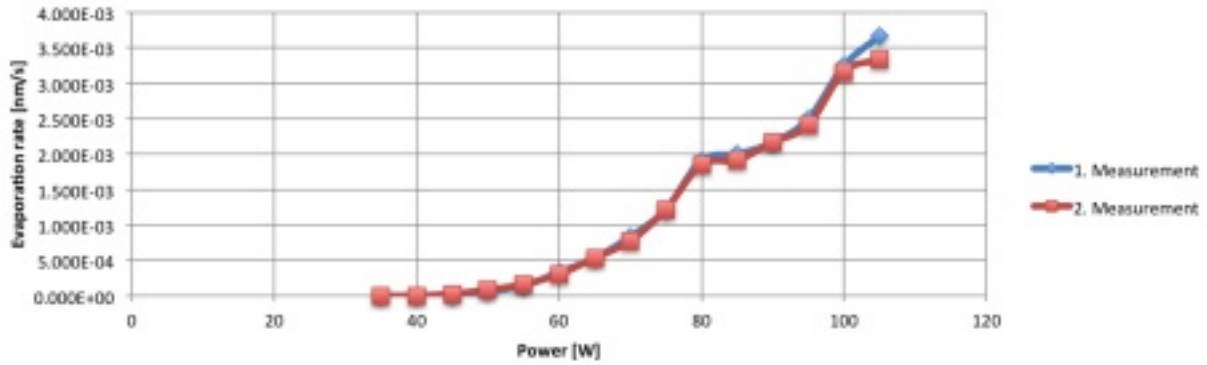
ULTRA HIGH VACUUM TECHNOLOGY

THURGAUERSTRASSE 72
CH-8050 ZÜRICH

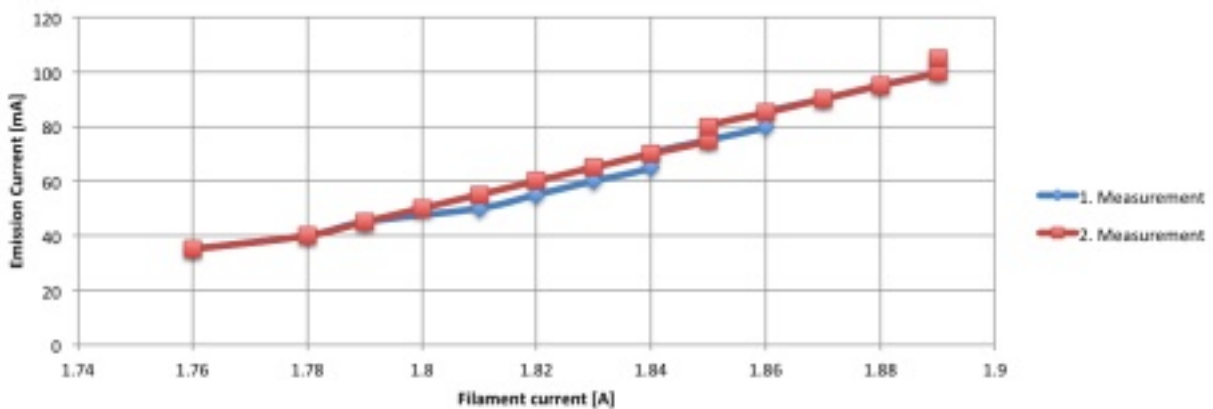
SALES@FERROVAC.COM
WWW.FERROVAC.COM

PHONE +41 44 273 16 38

Evaporation rate vs. power (Co)



Emission current vs. current



Ordering Information

EV40FC

Evaporator for thin film deposition

EV40FC-KIT

completely mounted incl. crucible and cable

EV40FC-BASIC

complete self assembly kit incl. 1 crucible, including feedthroughs

EV40FCSK

self assembly kit incl. 1 crucible, without feedthroughs

EV40CABLE(7MS6MF1)

Spare Filament assembly insert, incl. 1 crucible, mounted

EV40CABLE(7MS6MF2)

cable assembly L=6m for F1

FCR(W)

cable assembly L=6m for F2

spare Tungsten crucible