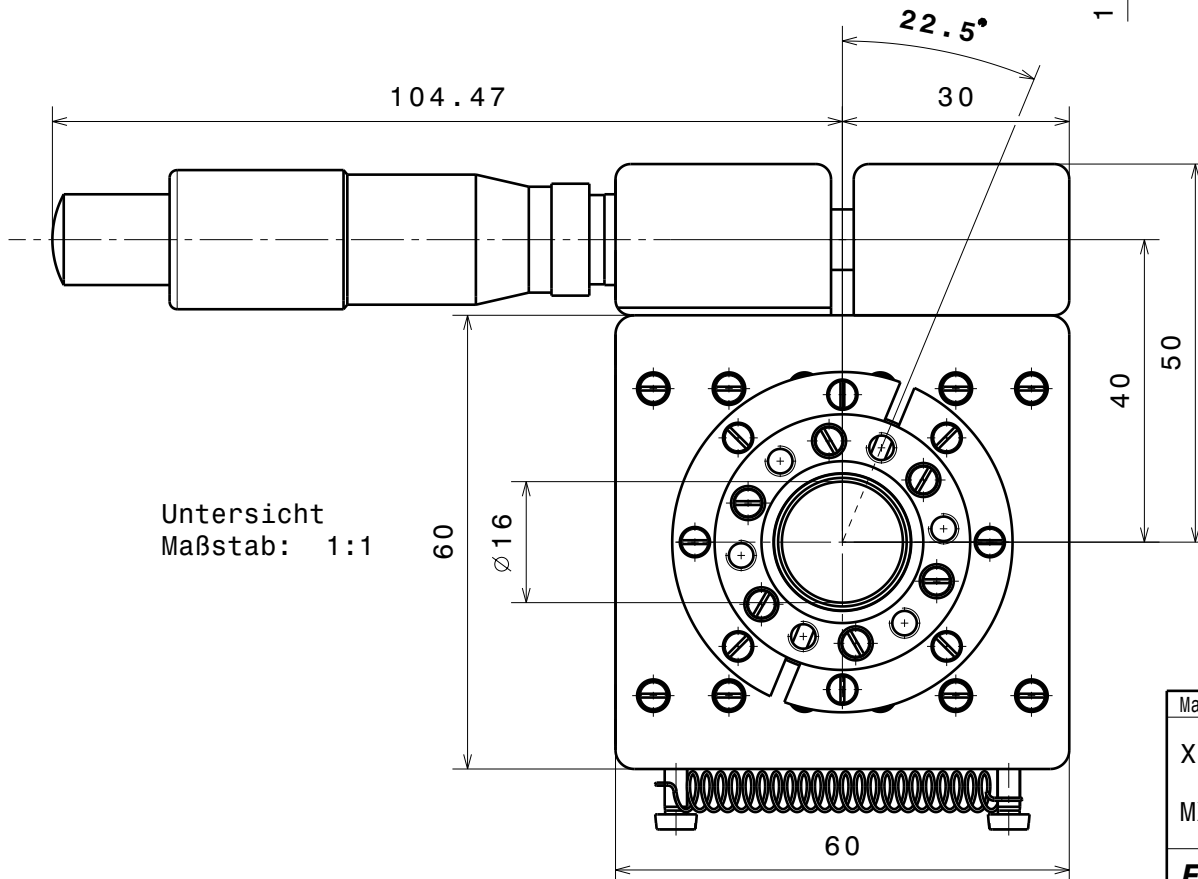
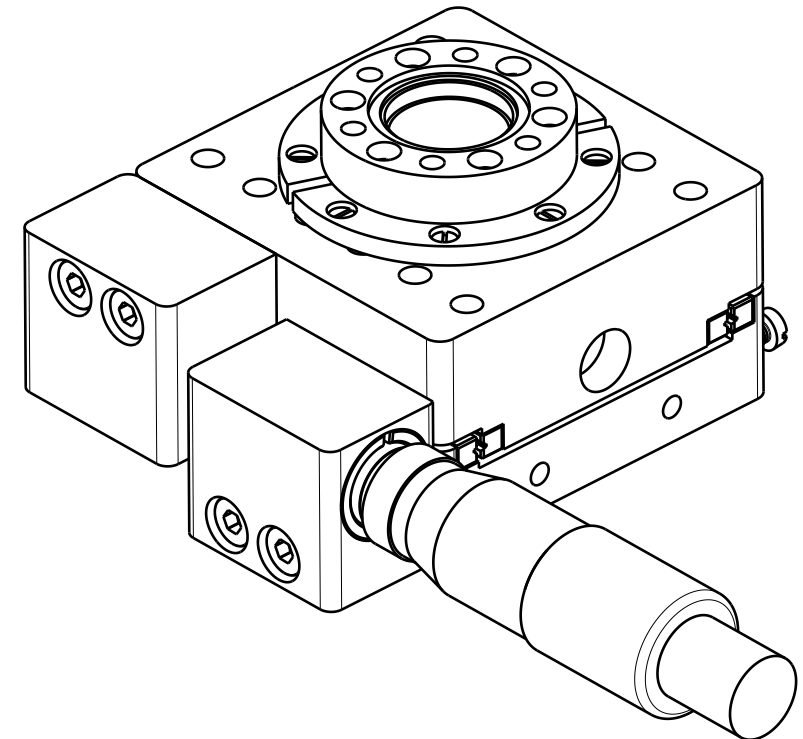


Rückansicht
Maßstab: 1:2



Untersicht
Maßstab: 1:1



Material: fully UHV compatible	nominal over	1	6	30	100	300	1000
X-Translator DN16CF +/-3mm	dimension up to	6	30	100	300	1000	2000
	tolerance ±	0.05	0.1	0.3	0.5	0.8	1.2
MX	Scale	Drawn von Gunten					
	Date	16.02.2016					
Ferrovac GmbH CH-8050 Zurich	1:1	changed					
		Rev.	A				
THE INFORMATION CONTAINED IN THIS DRAWING IS THE SOLE PROPERTY OF FERROVAC GMBH. ANY REPRODUCTION IN PART OR AS WHOLE WITHOUT OUR PERMISSION IS PROHIBITED.		MX16-3					